



China Precision Workholding System Inc (CPWS)

CPWS was established in 2008 in China, specialized in designing and manufacturing of Precision Workholding Fixtures, clamping tools for EDM, wireEDM, CNC milling, grinding machines. CPWS is 100% compatible with EROWA and 3R. Our Products include precision EDM electrode holders, ITS accessories like centering plates, chucking spigots, ITS chucks, ITS measuring tools, sensor, guaging pin, 3M holders, pallets, drawbars, power chucks, zeropoint system, wireEDM fixtures and vise. Our Manufacturing base in GuangDong, has offices in ShenZhen, JiangSu, HongKong, and has exported for 10 years to Southeast Asia, Europe, South Korea, Russia, USA, Canada, Mexico, Brazil, Australia. CPWS is also agent for other tooling makers in China, help other local tool makers to sale and export, and CPWS also offers one-stop sourcing service for overseas importer, such as logistics, warehousing, contract, Interpretation, to reduce overseas customers import cost. CPWS also accept OEM work, customer can send us a drawing if the order quantity is reasonable to make a production.

CPWS always pursues to produce high quality products at the lowest price, fast delivery, best service.

We are looking forward to your kind cooperation, and we would highly appreciate any feedback regarding our products quality, service.

Thank you very much for choosing CPWS, if you like us, please share with your friends and partners.

Product List		
Page	Category	Products
3	EROWA EDM tooling	Centering plates, chucking spigots, U slotted steel holder
4~6	EROWA EDM tooling	Steel holder, brass holder, Aluminium holder D148 pallet, D115 reference pallet, D72 holders. electronic chip
7	EROWA EDM tooling	Square 15&25 system, straight holder, angle holder, prism die, ER32 collet holder
8	EROWA EDM tooling	self centering vise, Magnetic pallet, ITS Compact Combi electrode holders
9~13	EROWA Chucks	Pneumatic chuck, manual chuck, Square 80mm chuck, Tiny chuck, D150 Power
14	Zeropoint System	Zeropoint Pneumatic chuck, pallets
15	EROWA Chucks	UPC power chuck, pallets, element, ITS manual Quick chuck D100
16~18	EROWA Chucks	D100 manual chucks, Quick chuck 50mm, screw-locking chuck
19	EROWA Chucks WEDM Tooling	Quick chuck 50, V holder, 3 axis jig vise
20	EROWA EDM Tooling WEDM Tooling	Fixed WEDM chuck, adjustable WEDM chuck, angle clamping unit,
21	EROWA EDM tooling	extension quick chuck, centering sensor, magnetic probe
22	EROWA EDM tooling	EROWA measuring tool, guaging pin, checking pin
23~24	Camera magnifier	camera magnifier (EROWA 3R, universal, magnetic)
25	EROWA Robot Parts	ITS 50 electrode change, ITS148 pallet changer, robot arm connector, gripper
26	EROWA EDM tooling Small Hole EDM	chuck accessories, workpiece centering device, Torque wrench, Small hole EDM tools
27	3R EDM Tooling	centering pallet 54mm, 70mm, drawbar, centering sensor, guaging pin,
28	3R EDM Tooling	checking talbe, guaging pin, ER32 collet holder, pendulum vise, electrode holders
29	3R EDM Tooling	3R electrode holders
30~34	3R EDM Tooling	3R chucks
35~40	WEDM Fixture Vise	WireEDM vise
41	WEDM Fixture Vise	vise, clamping beam
42	WEDM Fixture Vise	WireEDM fixtures, vise,
43	WEDM Fixture Vise	WireEDM fixtures, support jacks, wireEDM work table

A0001



規格參數表 SPECIFICATION	
規格 SIZE	50x50x0.6mm
主體材料 MATERIAL	進口日本優質材料 NIPPON STAINLESS STEEL
硬度 HARDNESS	38-42HRC

品名：50定位片 CENTERING PLATE 50

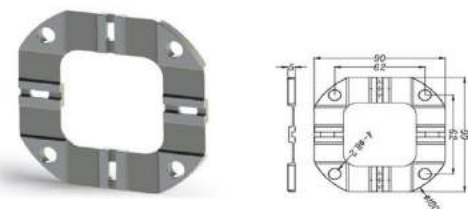
A0002



規格參數表 SPECIFICATION	
規格 SIZE	90x90x0.6mm
主體材料 MATERIAL	進口日本優質材料 NIPPON STAINLESS STEEL
硬度 HARDNESS	40-44HRC

品名：90定位片 CENTERING PLATE 90

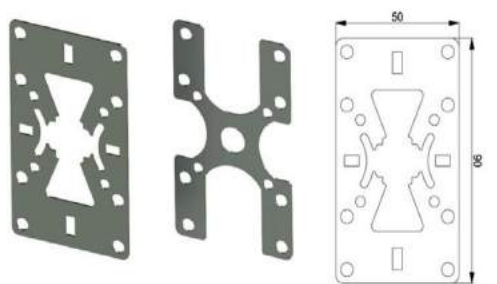
A0003



規格參數表 SPECIFICATION	
規格 SIZE	90x90x5mm
主體材料 MATERIAL	進口日本優質材料 NIPPON STAINLESS STEEL
硬度 HARDNESS	48-52HRC

品名：G型定位片 G PLATE INOX

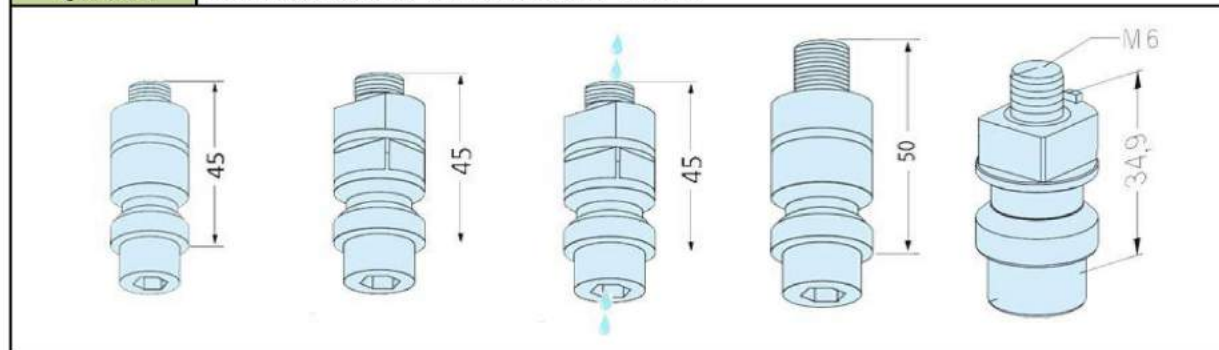
A0004



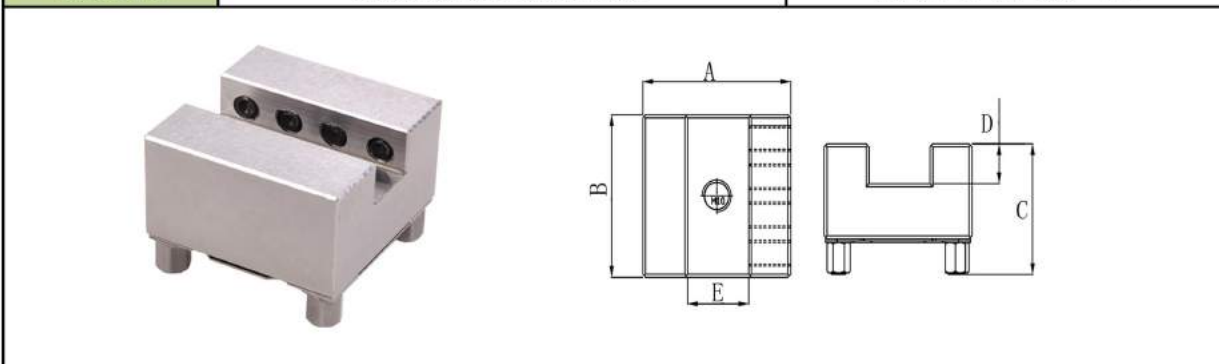
規格參數表 SPECIFICATION	
規格 Size	50x90x0.6mm
硬度 HARDNESS	38-42HRC
附帶配件 Included	M5X16實心機米 H8加硬六角釘 M5x8杯頭

品名：50x90定位片 Centering Plate 50x90

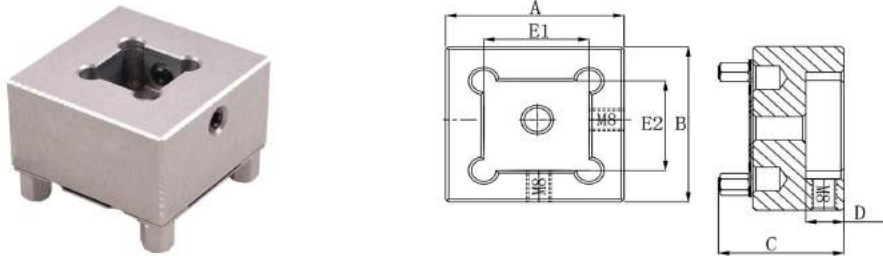
Code	Description
Q0003	manual chucking spigot,without flushing hole, for EDM or light machining
Q0004	automatic spigot,without flushing hole,for EDM or light machining
Q0004B	automatic spigot,with flushing hole,for EDM or light machining 015465
Q0003B	manual spigot 50mm length ,without flushing hole,for chip-cutting,heavy machining 010742
Q0003C	Chucking spigot for Compact Combi 029098



Code	Description	Size(A*B*C*E*D)
B0001	U15 Stainless steel holder	51*51*41*16*12.5 mm
B0002	U20 Stainless steel holder	51*51*41*21*12.5 mm
B0003	U25 Stainless steel holder	51*51*41*26*12.5 mm
B0004	U30 Stainless steel holder	51*51*41*31*12.5 mm
B00U35	U35 Stainless steel holder	60*51*41*36*12.5 mm
B00U40	U40 Stainless steel holder	65*51*41*41*12.5 mm
B00U45	U45 Stainless steel holder	70*51*41*46*12.5 mm
B00U50	U50 Stainless steel holder	75*51*41*51*12.5 mm



Code	Description	Size (A*B*C*E1*E2*D)
B0005	Square 15 Stainless steel holder	51*51*41*16*16*15 mm
B0006	Square 20 Stainless steel holder	51*51*41*21*21*15 mm
B0007	Square 25 Stainless steel holder	51*51*41*26*26*15 mm
B0008	Square 30 Stainless steel holder	51*51*41*31*31*15 mm
B00S35	Square 35 Stainless steel holder	60*60*41*36*36*15 mm
B00S40	Square 40 Stainless steel holder	65*65*41*41*41*15 mm
B00S45	Square 45 Stainless steel holder	70*70*41*46*46*15 mm
B00S50	Square 50 Stainless steel holder	75*75*41*51*51*15 mm



B0010-A

規格參數表 SPECIFICATION	
規格 SIZE	130x51x34.2mm
主體材料 MATERIAL	420不銹鋼 420 STAINLESS STEEL
硬度 HARDNESS	30~36HRC

品名: 130x51平面不銹鋼夾頭
130x51 FLAT STAINLESS STEEL HOLDER

B0011

規格參數表 SPECIFICATION	
規格 SIZE	150x92x29.2mm
主體材料 MATERIAL	420不銹鋼 420 STAINLESS STEEL
硬度 HARDNESS	30~36HRC

品名: 150x92平面不銹鋼夾頭
150x92 FLAT STAINLESS STEEL HOLDER

B0009

規格參數表 SPECIFICATION	
規格 SIZE	51x51x41mm
主體材料 MATERIAL	420不銹鋼 420 STAINLESS STEEL
硬度 HARDNESS	30~36HRC

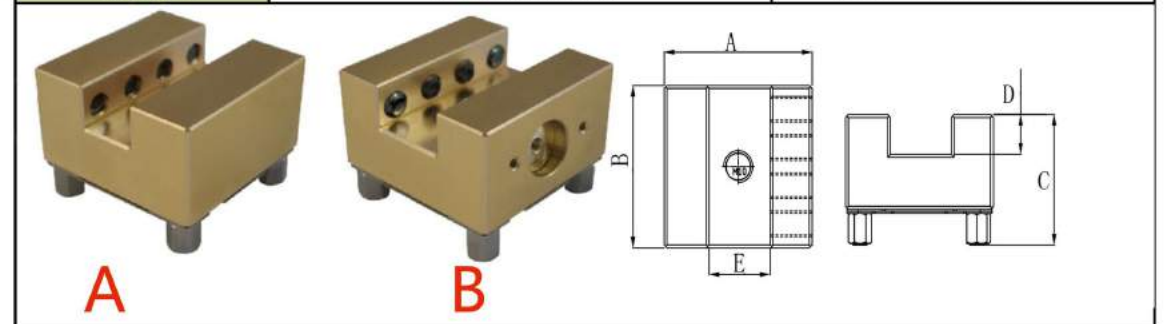
品名: 51x51平面不銹鋼夾頭
51x51 FLAT STAINLESS STEEL HOLDER

B0010

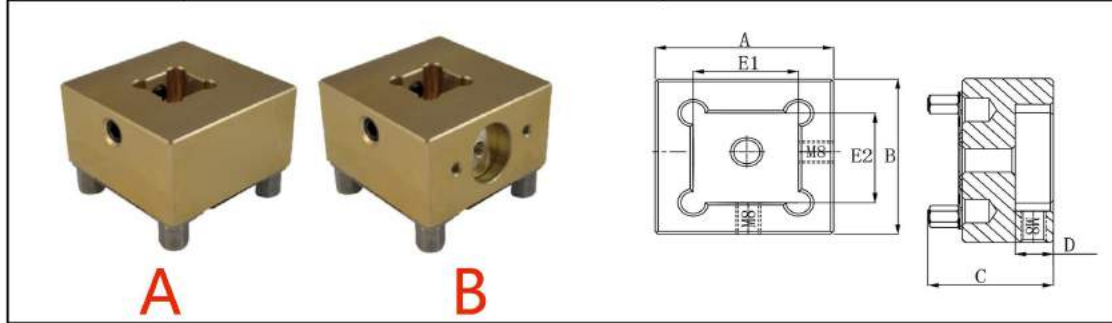
規格參數表 SPECIFICATION	
規格 SIZE	51x81x41mm
主體材料 MATERIAL	420不銹鋼 420 STAINLESS STEEL
硬度 HARDNESS	30~36HRC

品名: 81x51平面不銹鋼夾頭
81x51 FLAT STAINLESS STEEL HOLDER

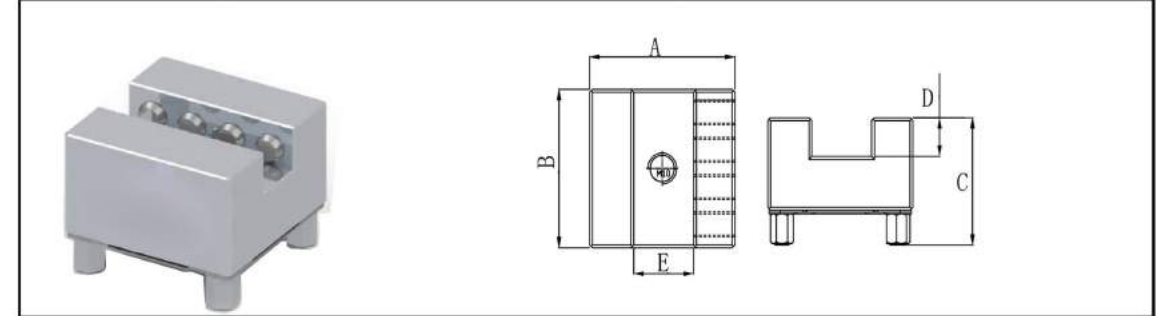
Code	Description	Size(A*B*C*E*D)
C0001	U15 Brass holder	51*51*41*16*12.5 mm
C0002	U20 Brass holder	51*51*41*21*12.5 mm
C0003	U25 Brass holder	51*51*41*26*12.5 mm
C00U30	U30 Brass holder	51*51*41*31*12.5 mm
C00U35	U35 Brass holder	60*51*41*36*12.5 mm
C00U40	U40 Brass holder	65*51*41*41*12.5 mm
C00U45	U45 Brass holder	70*51*41*46*12.5 mm
C00U50	U50 Brass holder	75*51*41*51*12.5 mm



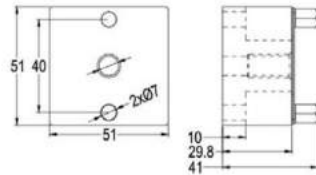
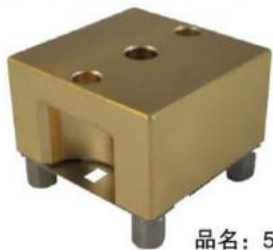
Code	Description	Size (A*B*C*E1*E2*D)
C0005	Square 15 Brass holder	51*51*41*16*16*20 mm
C0006	Square 20 Brass holder	51*51*41*21*21*20 mm
C0007	Square 25 Brass holder	51*51*41*26*26*20 mm
C00S30	Square 30 Brass holder	51*51*41*31*31*20 mm
C00S35	Square 35 Brass holder	60*60*41*36*36*20 mm
C00S40	Square 40 Brass holder	65*65*41*41*41*20 mm
C00S45	Square 45 Brass holder	70*70*41*46*46*20 mm
C00S50	Square 50 Brass holder	75*75*41*51*51*20 mm



Code	Description	Size(A*B*C*E*D)
D0001	U15 Aluminium holder	51*51*41*16*12.5 mm
D0002	U20 Aluminium holder	51*51*41*21*12.5 mm
D0003	U25 Aluminium holder	51*51*41*26*12.5 mm
D00U30	U30 Aluminium holder	51*51*41*31*12.5 mm
D00U35	U35 Aluminium holder	60*51*41*36*12.5 mm
D00U40	U40 Aluminium holder	65*51*41*41*12.5 mm
D00U45	U45 Aluminium holder	70*51*41*46*12.5 mm
D00U50	U50 Aluminium holder	75*51*41*51*12.5 mm



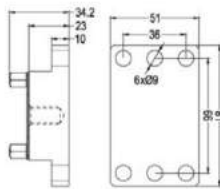
C0004



品名: 51x51 平面黃銅夾頭
51x51 FLAT BRASS HOLDER

規格參數表 SPECIFICATION	
規格 SIZE	51x51x41mm
主體材料 MATERIAL	國標黃銅 STANDARD COPPER
硬度 HARDNESS	HB100~110

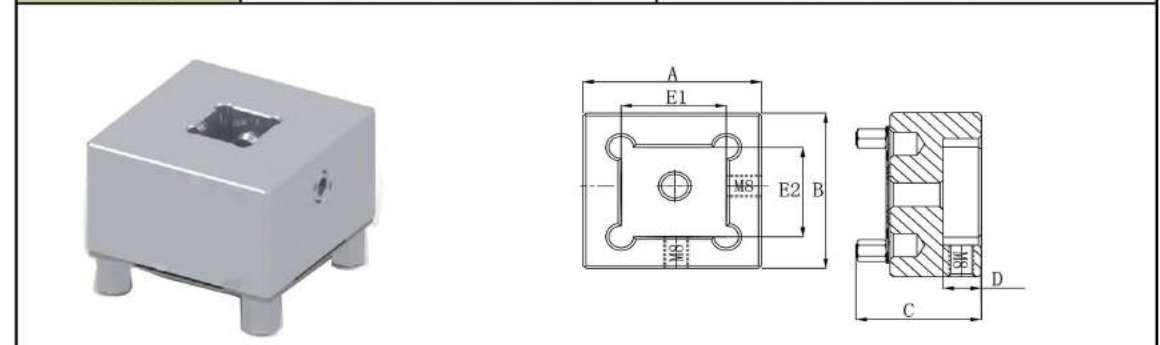
C0008



品名: 51x81平面黃銅夾頭
51x81 FLAT BRASS HOLDER

規格參數表 SPECIFICATION	
規格 SIZE	51x81x34.2mm
主體材料 MATERIAL	國標黃銅 STANDARD COPPER
硬度 HARDNESS	HB100~110

Code	Description	Size (A*B*C*E1*E2*D)
D0005	Square 15 Aluminium holder	51*51*41*16*16*20 mm
D0006	Square 20 Aluminium holder	51*51*41*21*21*20 mm
D0007	Square 25 Aluminium holder	51*51*41*26*26*20 mm
D00S30	Square 30 Aluminium holder	51*51*41*31*31*20 mm
D00S35	Square 35 Aluminium holder	60*60*41*36*36*20 mm
D00S40	Square 40 Aluminium holder	65*65*41*41*41*20 mm
D00S45	Square 45 Aluminium holder	70*70*41*46*46*20 mm
D00S50	Square 50 Aluminium holder	75*75*41*51*51*20 mm



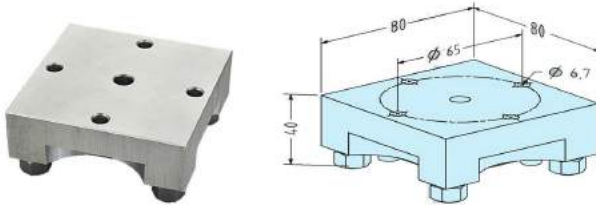
D0004



品名: 51x51平面鋁合金夾頭
51x81 FLAT ALUMINUM HOLDER

規格參數表 SPECIFICATION	
規格 SIZE	51x51x41mm
主體材料 MATERIAL	進口7系鋁合金 IMPORT 7 SERIES ALUMINUM ALLOY
硬度 HARDNESS	HB140-150

D0008



aluminum, system size 100, with M8 supports.

To mount electrodes and workpieces with a base surface of more than 70 mm.
With 4 x M6 bolts into the base surface.

U0005



品名: D115 ITS 零位基準座 D115 ITS Reference Pallets

規格參數表 SPECIFICATION	
規格 SIZE	D115x40mm
主體材料 MATERIAL	420 不銹鋼 Stainless Steel 420
硬度 HARDNESS	48-52HRC
裝配 ASSEMBLY	G型定位片 G Plate
出廠要求 FACTORY REQUIREMENTS	全部倒角、調平 All Chamfers, Leveling

U0006



品名: D148 ITS 平面夾頭 D148 ITS G R 25 Pallet

規格參數表 SPECIFICATION	
規格 SIZE	D148x40mm
主體材料 MATERIAL	420 不銹鋼 Stainless Steel 420
硬度 HARDNESS	30-36HRC
裝配 ASSEMBLY	G型定位片 G Plate
出廠要求 FACTORY REQUIREMENTS	全部倒角、調平 All Chamfers, Leveling

U0001



規格參數表 SPECIFICATION	
規格 SIZE	D72x44.2mm
主體材料 MATERIAL	420 不銹鋼 Stainless Steel 420
硬度 HARDNESS	30-36HRC

品名: D72 ITS 25方型不銹鋼夾頭
D72 ITS S25 Stainless Holder

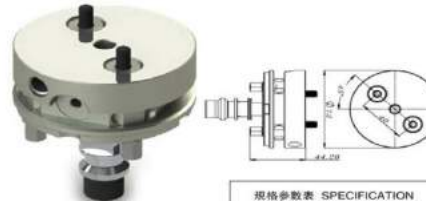
U0002



規格參數表 SPECIFICATION	
規格 SIZE	D72x44.2mm
主體材料 MATERIAL	420 不銹鋼 Stainless Steel 420
硬度 HARDNESS	30-36HRC

品名: D72 ITS U20槽型不銹鋼夾頭
D72 ITS U20 Stainless Holder

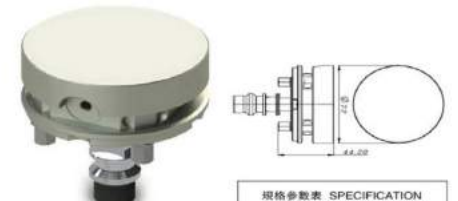
U0003



規格參數表 SPECIFICATION	
規格 SIZE	D72x44.2mm
主體材料 MATERIAL	420 不銹鋼 Stainless Steel 420
硬度 HARDNESS	30-36HRC

品名: D72 ITS 平面不銹鋼夾頭(帶自鎖螺絲)
D72 ITS Flat Stainless Steel Holder(screw lock)

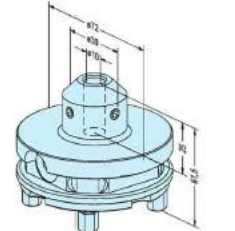
U0004



規格參數表 SPECIFICATION	
規格 SIZE	D72x44.2mm
主體材料 MATERIAL	420 不銹鋼 Stainless Steel 420
硬度 HARDNESS	30-36HRC

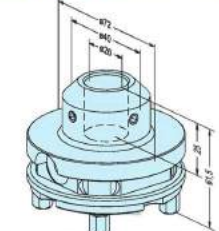
品名: D72 ITS 平面不銹鋼夾頭
D72 ITS Blank Stainless Steel Holder

U0009



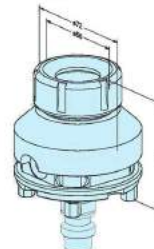
D72 holder Stainless steel D10mm

U0008



D72 holder Stainless steel D20mm

U0007



D72 ER32 collet holder Stainless steel

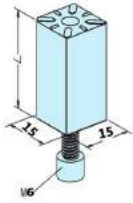
Q0001



品名: 專用電子芯片 Electronic Chip

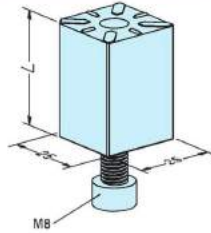
規格參數表 SPECIFICATION	
規格 Size	Φ18x18mm
主體材料 Material	ABS

S1515L



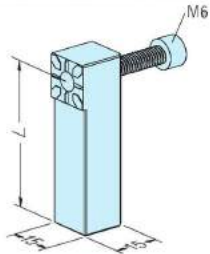
Straight holder 15x15mm

S2525L



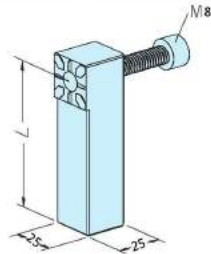
Straight holder 25x25mm

A1515L



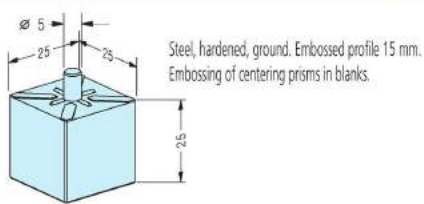
Angle holder 15x15mm

A2525L



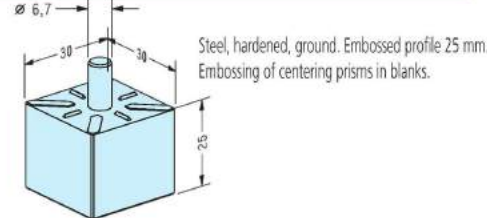
Angle holder 25x25mm

003422



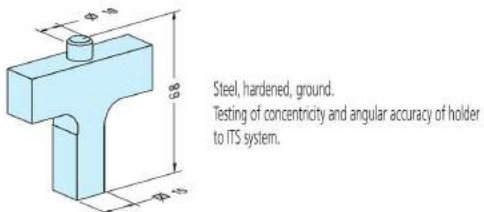
Prism die size 15

003489



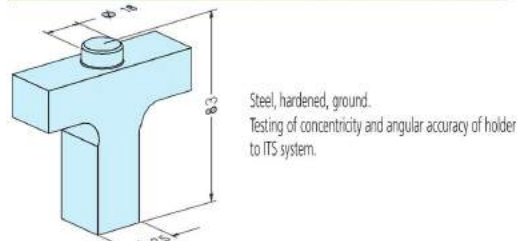
Prism die size 25

010495



square 15 alignment rail

010592

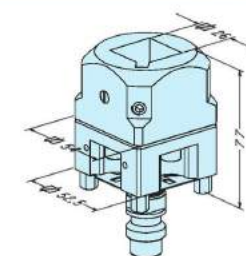
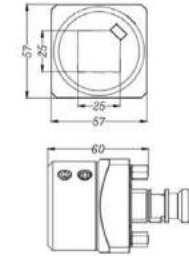


square 25 alignment rail

M0001

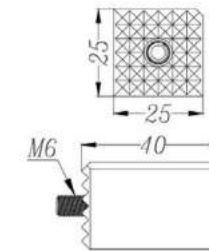
M0001B

M0004



M0001 Square 25mm holder
M0001B Square 15mm holder

M0002



規格參數表 SPECIFICATION	
規格 SIZE	25x25x40mm
主體材料 MATERIAL	420 不銹鋼 48-52HRC Stainless Steel 420

品名：25型尖齒方塊 25mm Sharp Tooth Rod

Code	Description
M0003-ER32	ER32 collet holder
M0003-ER20	ER20 collet holder
M0003-ER16	ER16 collet holder
ER32 collets set	1 set include 18pcs collets from 3mm~20mm



V0002



規格參數表 SPECIFICATION	
規格 SIZE	130x100x80mm
主體材料 MATERIAL	420 不銹鋼 48-52HRC Stainless Steel 420
功能 APPLICATION	裝配G型定位片, 自鎖中心復位公差±0.1mm With G Plate, Center Tolerance ± 0.1mm

品名: 中心卡盤 Center Vice

V0003

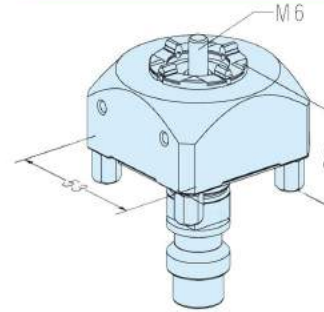


規格參數表 SPECIFICATION	
規格 Name	170x95x60mm
主體材料 Material	420 不銹鋼 48-52HRC Stainless Steel 420
功能 Function	可事先預調, 裝配G型定位片 Able to Pre-adjust, Assemble With G Plate
應用 Application	適用於測量, EDM或CMM機床, 不適用CNC加工 Suitable for EDM, CMM

品名: 磁盤夾具 Magnetic Pallet

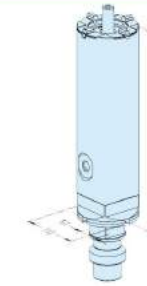


020487



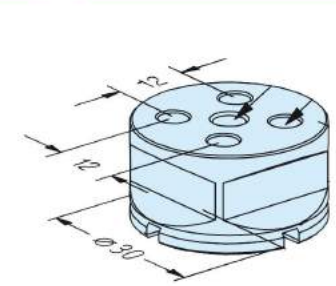
Compact ITS adapter

017982



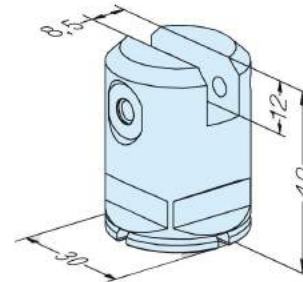
Compact extension 100 mm

029015



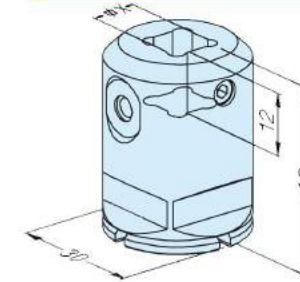
Compact standard holder H=16

017532



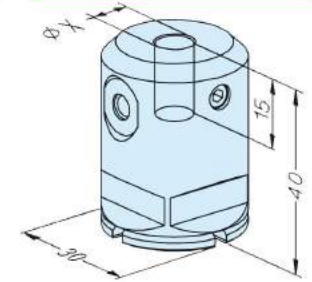
Compact Uniholder

017529



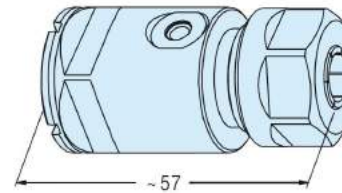
Compact Prisround

017534



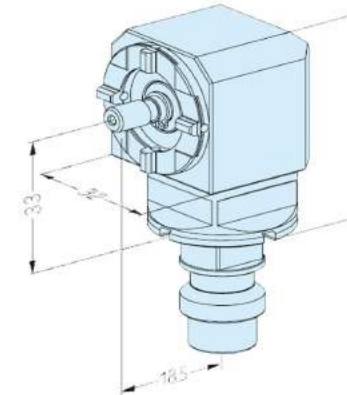
Compact electrode holder X=8~16mm

034045



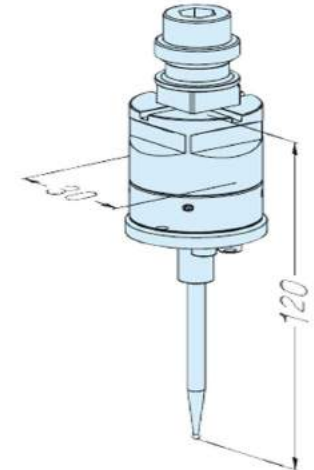
Compact ER16 Collet Chuck Holder

017984



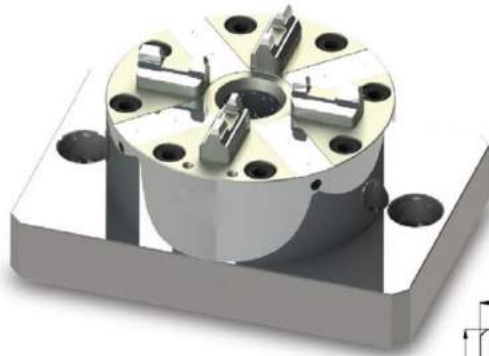
Compact angle chuck

019474

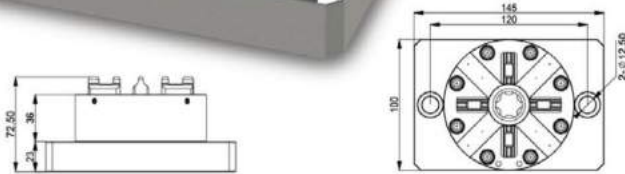


Compact probe with ball D2 D5

G0001

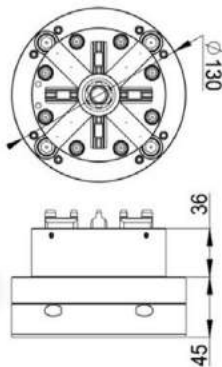
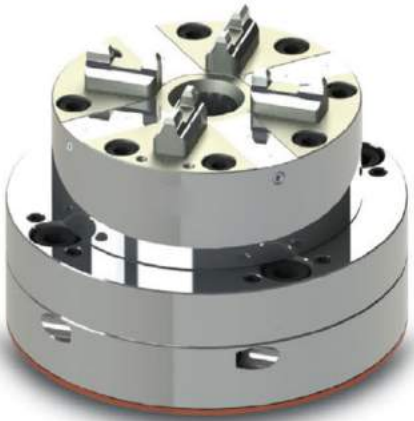


規格參數表 SPECIFICATION	
規格 SIZE	145x100x72.5mm
主體材料 MATERIAL	日本優質鉻鋼 57-60HRC NIPPON STAINLESS STEEL
使用壓力 AIR PRESSURE REQUIRE	6公斤, 帶吹氣清潔功能 6 Bar, with AIR CLEANING FUNCTION
鎖緊力 FORCE POWER	10000牛頓 10000N



品名: D100 CNC氣動卡盤 CNC PNEUMATIC CHUCK D100

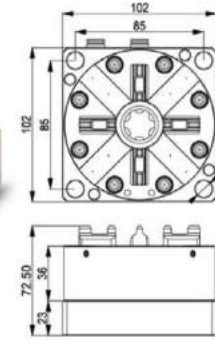
G0002



規格參數表 SPECIFICATION	
規格 SIZE	∅130x81mm
主體材料 MATERIAL	日本優質鉻鋼 57-60HRC NIPPON STAINLESS STEEL
使用壓力 AIR PRESSURE REQUIRE	6公斤, 帶吹氣清潔功能 6 Bar, with AIR CLEANING FUNCTION
鎖緊力 FORCE POWER	10000牛頓 10000N

品名: D100 EDM氣動卡盤 EDM PNEUMATIC CHUCK D100

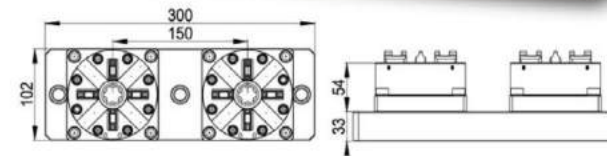
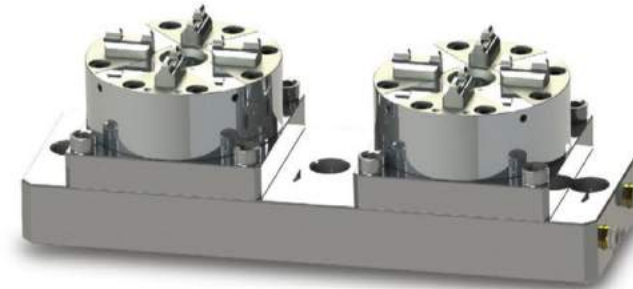
G0003



規格參數表 SPECIFICATION	
規格 SIZE	102x102x72.5mm
主體材料 MATERIAL	日本優質鉻鋼 57-60HRC NIPPON STAINLESS STEEL
使用壓力 AIR PRESSURE REQUIRE	6公斤, 帶吹氣清潔功能 6 Bar, with AIR CLEANING FUNCTION
鎖緊力 FORCE POWER	10000牛頓 10000N

品名: D100 氣動卡盤(配多用途底板) PNEUMATIC CHUCK D100(with functional base)

G0004

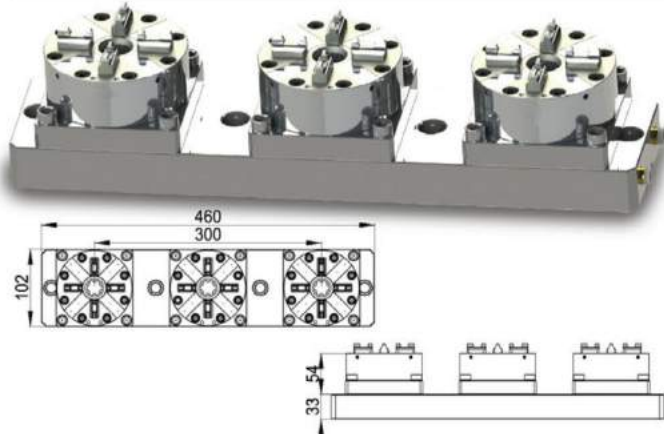


規格參數表 SPECIFICATION	
規格 SIZE	300x102x87mm
主體材料 MATERIAL	日本優質鉻鋼 57-60HRC NIPPON STAINLESS STEEL
使用壓力 AIR PRESSURE REQUIRE	6公斤, 帶吹氣清潔功能 6 Bar, with AIR CLEANING FUNCTION
鎖緊力 FORCE POWER	10000牛頓 10000N
氣閥控制 Switch	1控2 (即1個開關控制2個卡盤) 2 chucks control by 1 switch

品名: D100 2頭CNC氣動卡盤(配多用途底板)
2 IN 1 CNC PNEUMATIC CHUCK D100



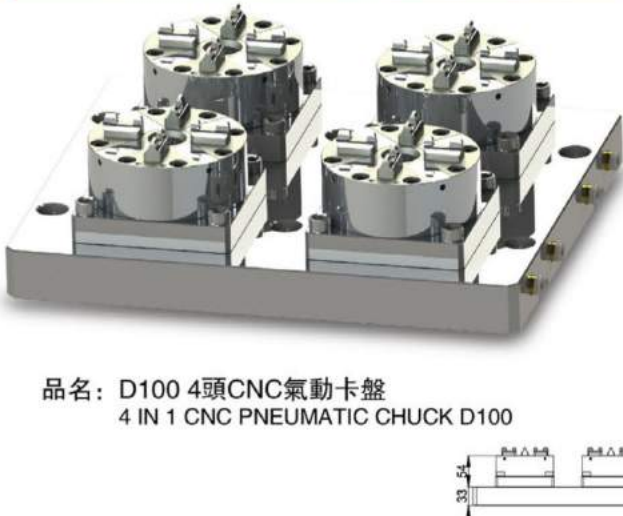
G0005



規格參數表 SPECIFICATION	
規格 SIZE	460x102x87mm
主體材料 MATERIAL	日本優質鉻鋼 57-60HRC NIPPON STAINLESS STEEL
使用壓力 AIR PRESSURE REQUIRE	6公斤, 帶吹氣清潔功能 6 Bar, with AIR CLEANING FUNCTION
鎖緊力 FORCE POWER	10000牛頓 10000N
氣閥控制 Switch	1控3 (即1個開關控制3個卡盤) 3 chucks control by 1 switch

品名: D100 3頭CNC氣動卡盤 3 IN 1 CNC PNEUMATIC CHUCK D100

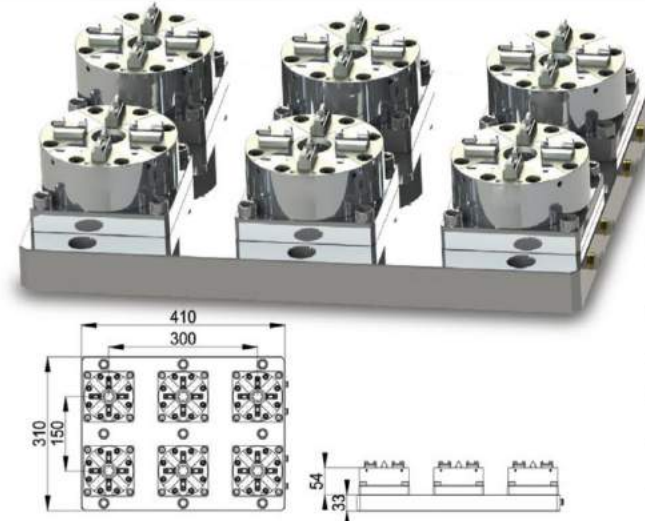
G0006



規格參數表 SPECIFICATION	
規格 SIZE	330X290x87mm
主體材料 MATERIAL	日本優質鉻鋼 57-60HRC NIPPON STAINLESS STEEL
使用壓力 AIR PRESSURE REQUIRE	6公斤, 帶吹氣清潔功能 6 Bar, with AIR CLEANING FUNCTION
鎖緊力 FORCE POWER	10000牛頓 10000N
氣閥控制 Switch	2控4 (即1個開關控制2個卡盤) 4 chucks control by 2 switch

品名: D100 4頭CNC氣動卡盤
4 IN 1 CNC PNEUMATIC CHUCK D100

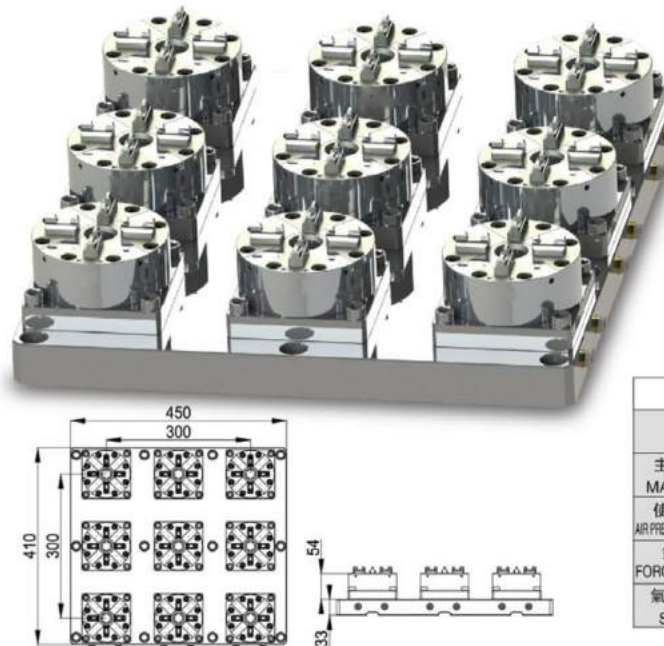
G0007



規格參數表 SPECIFICATION	
規格 SIZE	410X310x87mm
主體材料 MATERIAL	日本優質鉻鋼 57-60HRC NIPPON STAINLESS STEEL
使用壓力 AIR PRESSURE REQUIRE	6公斤, 帶吹氣清潔功能 6 Bar, with AIR CLEANING FUNCTION
鎖緊力 FORCE POWER	10000牛頓 10000N
氣閥控制 Switch	2控6 (即1個開關控制3個卡盤) 6 chucks control by 2 switch

品名: D100 6頭CNC氣動卡盤 6 IN 1 CNC PNEUMATIC CHUCK D100

G0008

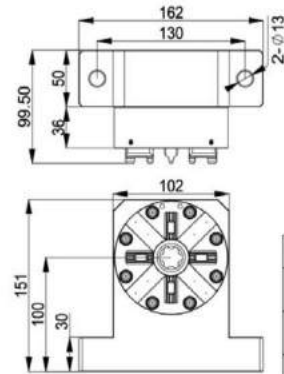
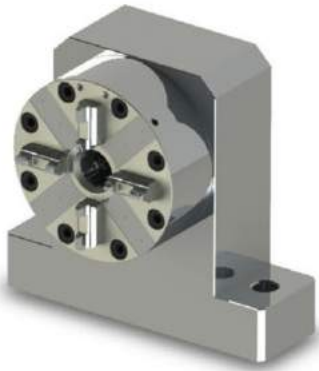


規格參數表 SPECIFICATION	
規格 SIZE	450X410x87mm
主體材料 MATERIAL	日本優質鉻鋼 57-60HRC NIPPON STAINLESS STEEL
使用壓力 AIR PRESSURE REQUIRE	6公斤, 帶吹氣清潔功能 6 Bar, with AIR CLEANING FUNCTION
鎖緊力 FORCE POWER	10000牛頓 10000N
氣閥控制 Switch	3控9 (即1個開關控制3個卡盤) 3 chucks control by 1 switch

品名: D100 9頭CNC氣動卡盤 9 IN 1 CNC PNEUMATIC CHUCK D100



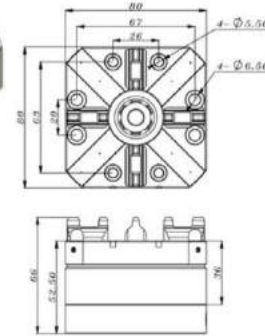
G0009



規格參數表 SPECIFICATION	
規格 SIZE	162x99.5x151mm
主體材料 MATERIAL	日本優質鉻鋼 57-60HRC NIPPON STAINLESS STEEL
使用壓力 AIR PRESSURE REQUIRE	6公斤, 帶吹氣清潔功能 6 Bar, with AIR CLEANING FUNCTION
鎖緊力 FORCE POWER	10000牛頓 10000N

品名: D100 曲頭氣動卡盤
D100 Vertical Pneumatic Chuck

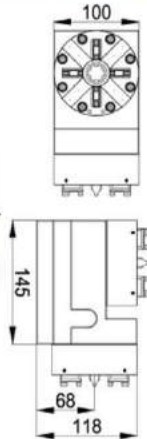
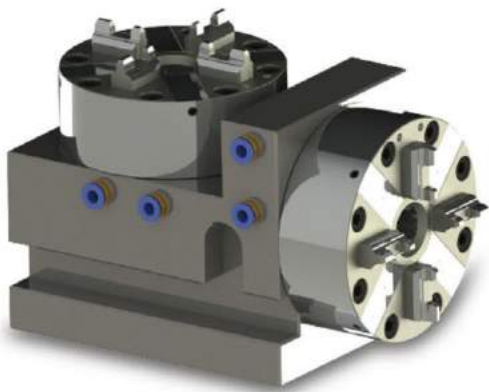
E0001



規格參數表 SPECIFICATION	
規格 SIZE	80X80X66mm
主體材料 MATERIAL	日本優質鉻鋼 57-60HRC NIPPON STAINLESS STEEL
使用壓力 AIR PRESSURE REQUIRE	6公斤, 帶吹氣清潔功能 6 Bar, with AIR CLEANING FUNCTION
鎖緊力 FORCE POWER	6000牛頓 6000N

品名: 80方型單頭氣動卡盤 80 mm Square Pneumatic Chuck

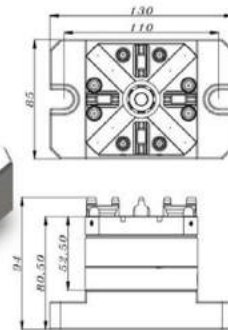
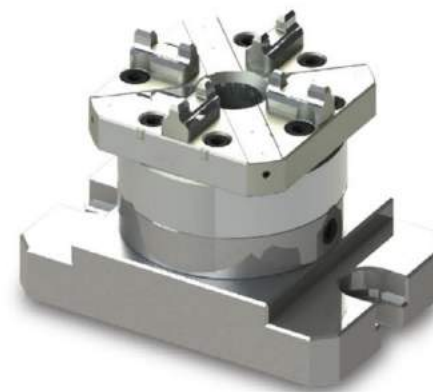
G0010



規格參數表 SPECIFICATION	
規格 SIZE	145x100x118mm
主體材料 MATERIAL	日本優質鉻鋼 57-60HRC NIPPON STAINLESS STEEL
使用壓力 AIR PRESSURE REQUIRE	6公斤, 帶吹氣清潔功能 6 Bar, with AIR CLEANING FUNCTION
鎖緊力 FORCE POWER	10000牛頓 10000N

品名: D100 橫立氣動卡盤
D100 Horizontal & Vertical Pneumatic Chuck

E0005

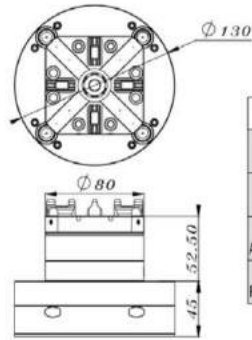


規格參數表 SPECIFICATION	
規格 SIZE	130x85x94mm
主體材料 MATERIAL	日本優質鉻鋼 57-60HRC NIPPON STAINLESS STEEL
使用壓力 AIR PRESSURE REQUIRE	6公斤, 帶吹氣清潔功能 6 Bar, with AIR CLEANING FUNCTION
鎖緊力 FORCE POWER	6000牛頓 6000N

品名: 80方型CNC氣動卡盤 80 mm Square CNC Pneumatic Chuck



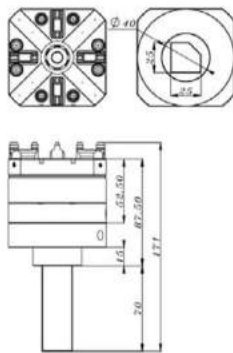
E0008



規格參數表 SPECIFICATION	
規格 SIZE	φ130x97.5mm
主體材料 MATERIAL	日本優質鉻鋼 57-60HRC NIPPON STAINLESS STEEL
使用壓力 AIR PRESSURE REQUIRE	6公斤, 帶吹氣清潔功能 6 Bar, with AIR CLEANING FUNCTION
鎖緊力 FORCE POWER	6000牛頓 6000N

品名: 80方型EDM氣動卡盤 80mm EDM Pneumatic Chuck

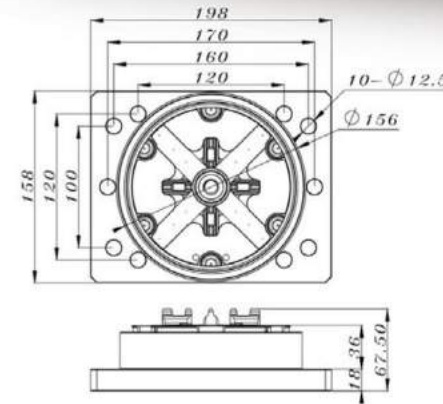
E0009



規格參數表 SPECIFICATION	
規格 SIZE	80x80x171mm
主體材料 MATERIAL	日本優質鉻鋼 57-60HRC NIPPON STAINLESS STEEL
使用壓力 AIR PRESSURE REQUIRE	6公斤, 帶吹氣清潔功能 6 Bar, with AIR CLEANING FUNCTION
鎖緊力 FORCE POWER	6000牛頓 6000N

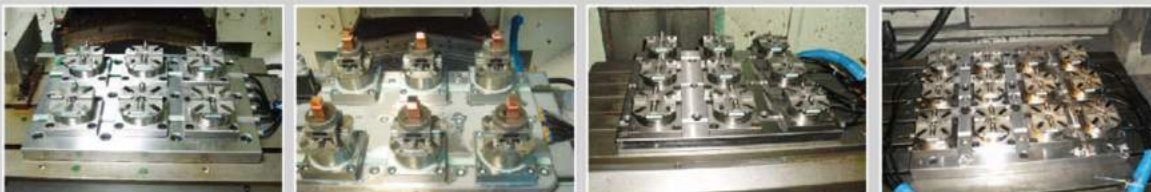
品名: 80方型EDM氣動卡盤(帶連接杆)
80 mm Square EDM Pneumatic Chuck(With Connecting Rod)

R0001

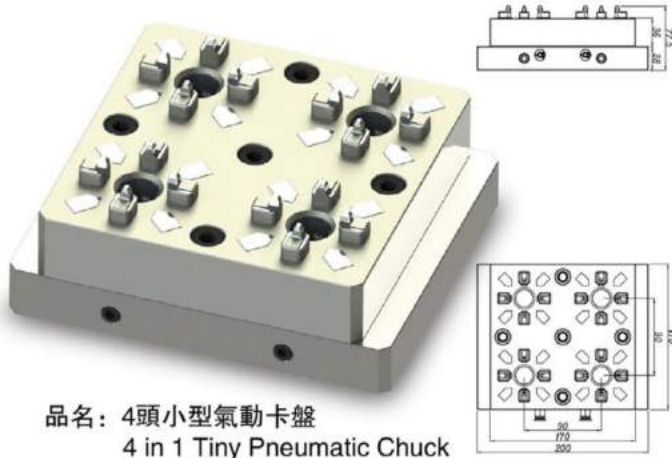


規格參數表 SPECIFICATION	
規格 SIZE	198x158x67.5mm
主體材料 MATERIAL	日本優質鉻鋼 57-60HRC NIPPON STAINLESS STEEL
使用壓力 AIR PRESSURE REQUIRE	6公斤, 帶吹氣清潔功能 6 Bar, with AIR CLEANING FUNCTION
鎖緊力 FORCE POWER	15000牛頓 15000N

品名: D150氣動卡盤
D150 Pneumatic Chuck With Base



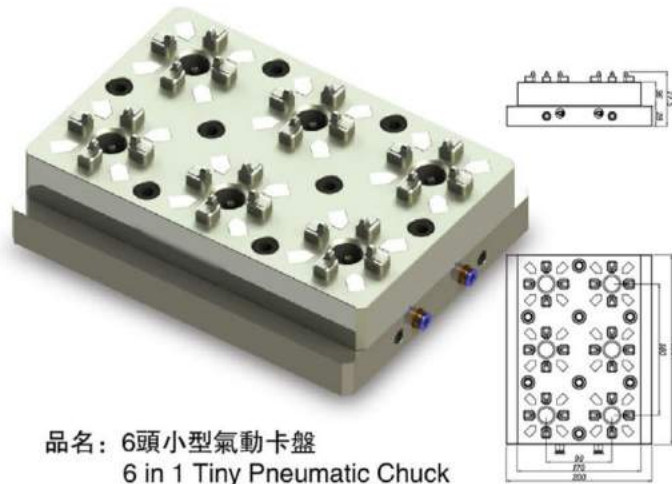
F0002



規格參數表 SPECIFICATION	
規格 SIZE	200x170x77.5mm
主體材料 MATERIAL	日本優質鉻鋼 57-60HRC NIPPON STAINLESS STEEL
使用壓力 AIR PRESSURE REQUIRE	6公斤, 帶吹氣清潔功能 6 Bar, with AIR CLEANING FUNCTION
鎖緊力 FORCE POWER	6000牛頓 6000N
氣閘控制 Switch	1控4 (即1個開關控制4個卡盤) 4 chucks control by 1 switch

品名: 4頭小型氣動卡盤
4 in 1 Tiny Pneumatic Chuck

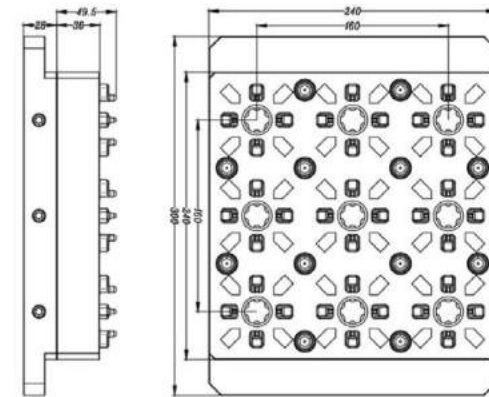
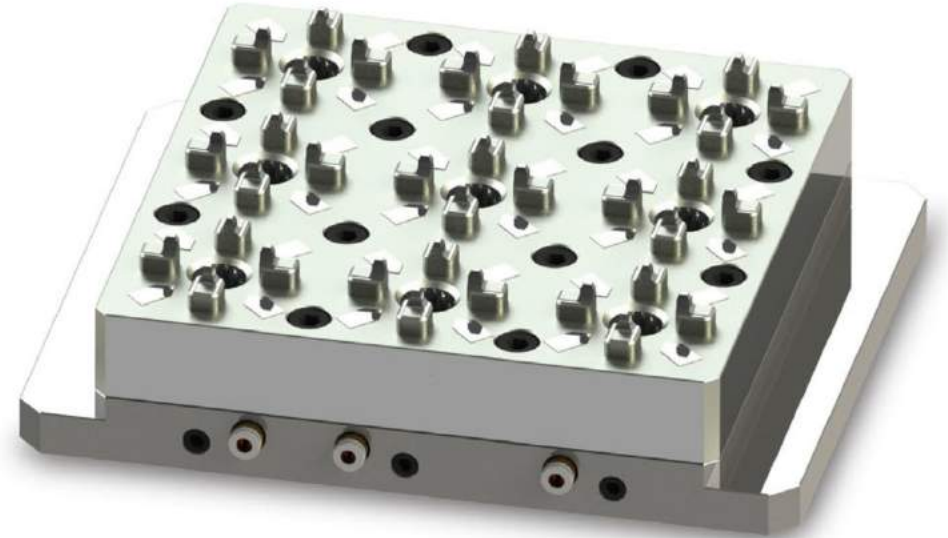
F0003



規格參數表 SPECIFICATION	
規格 SIZE	260x200x77.5mm
主體材料 MATERIAL	日本優質鉻鋼 57-60HRC NIPPON STAINLESS STEEL
使用壓力 AIR PRESSURE REQUIRE	6公斤, 帶吹氣清潔功能 6 Bar, With AIR CLEANING FUNCTION
鎖緊力 FORCE POWER	6000牛頓 6000N
氣閘控制 Switch	2控6 (即1個開關控制3個卡盤) 3 Chucks Control by 1 Switch, Total 2 Switch

品名: 6頭小型氣動卡盤
6 in 1 Tiny Pneumatic Chuck

F0001

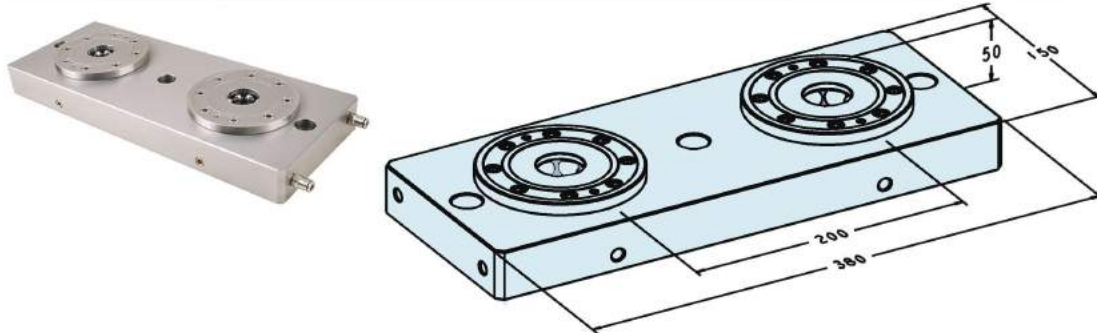


規格參數表 SPECIFICATION	
規格 SIZE	300x240x77.5mm
主體材料 MATERIAL	日本優質鉻鋼 57-60HRC NIPPON STAINLESS STEEL
使用壓力 AIR PRESSURE REQUIRE	6公斤, 帶吹氣清潔功能 6 Bar, with AIR CLEANING FUNCTION
鎖緊力 FORCE POWER	6000牛頓 6000N
氣閘控制 Switch	3控9 (即1個開關控制3個卡盤) 3 Chucks Control By 1 Switch, Total 3 Switch

品名: 9頭小型氣動卡盤 9 in 1 Tiny Pneumatic Chuck



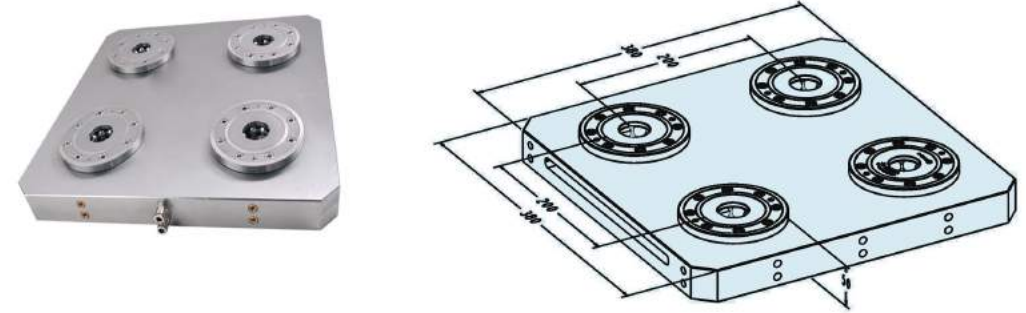
ZP002



Base plate, steel, unhardened; set-up distance 200mm
 Lateral, to open: pneumatic
 To accommodate double pallets.for direct assembly on machine tables
 Attachment boreholes can be drilled by customers
 Do not drill through any air or oil ducts

pneumatic zero-point chuck 2fold

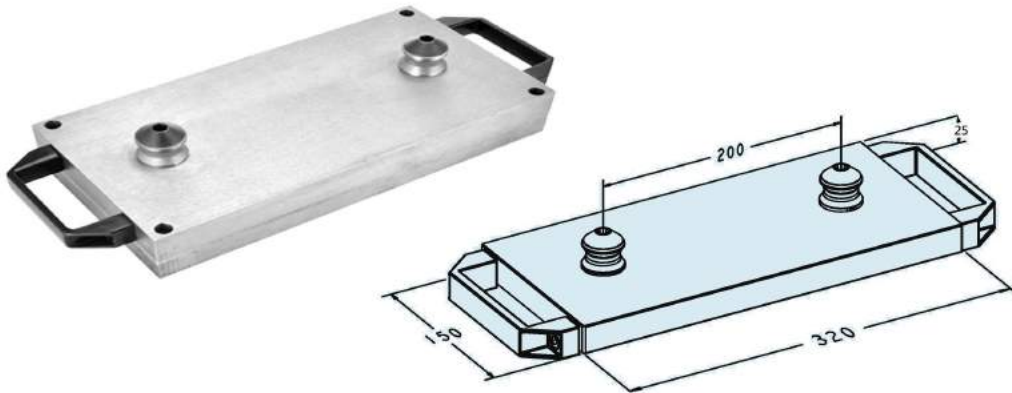
ZP004



Base plate, steel, unhardened; set-up distance 200mm
 Lateral, to open: pneumatic
 To accommodate double pallets.for direct assembly on machine tables
 Attachment boreholes can be drilled by customers
 Do not drill through any air or oil ducts

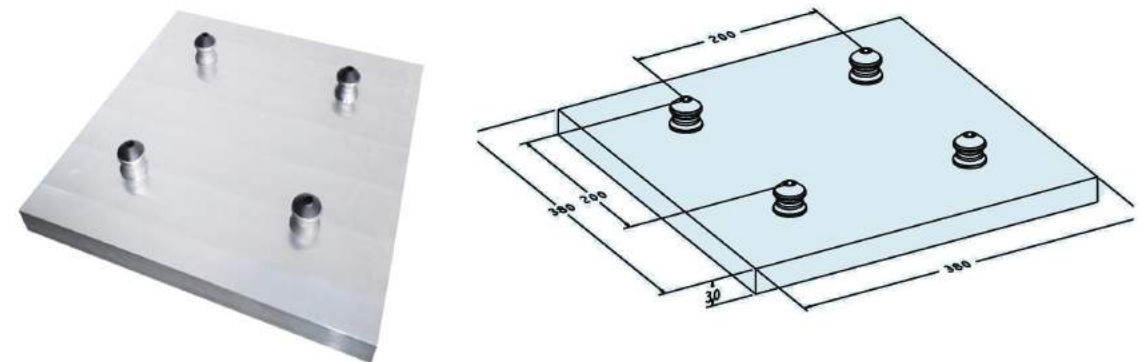
pneumatic zero-point chuck 4fold

ZP002P



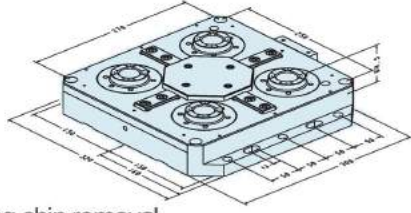
Aluminum pallet 2fold

ZP004P



Aluminum pallet 4fold

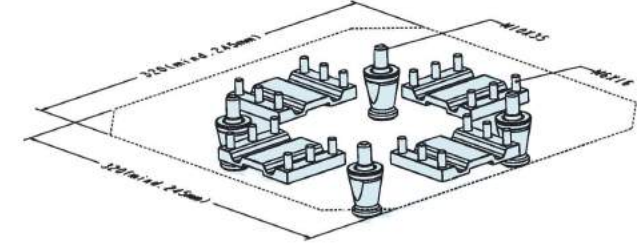
UPC01



Chuck for high machining forces during chip removal.
Through the base and on the side.
On milling, grinding, and drilling centers and in production lines.

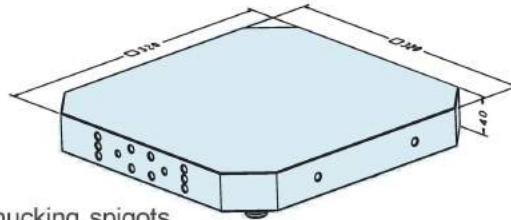
universal power chuck

UPC04



centering segments for UPC01

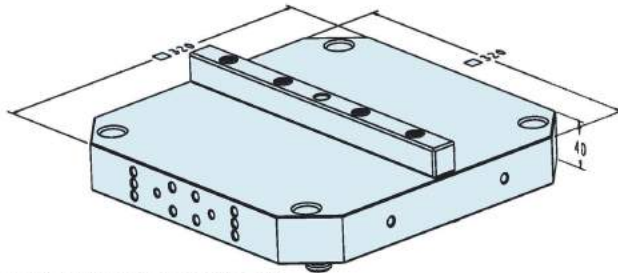
UPC02



Aluminum, centering segments and chucking spigots fitted. Hand Z-support.
To clamp workpieces and gauges.
Holes to be drilled as required.

Aluminum pallet for UPC01

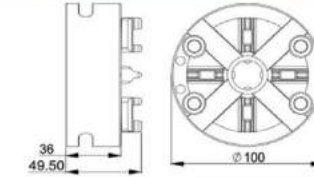
UPC03



To align angular position and to determine the center of UPC chucks.
System parallelism <math>< 0.005 \text{ mm}</math>.
Borehole concentricity <math>< 0.005 \text{ mm}</math>.

Alignment rail for UPC01

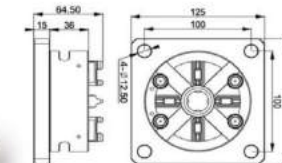
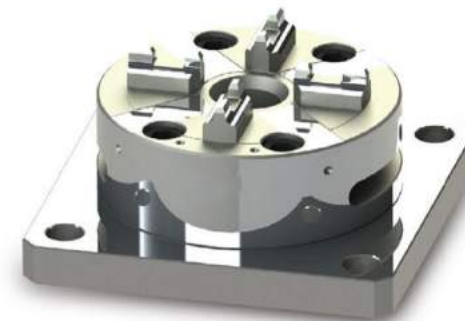
K0010



規格參數表 SPECIFICATION	
規格 SIZE	Φ100x49.5mm
主體材料 MATERIAL	日本優質鉻鋼 57-60 HRC NIPPON STAINLESS STEEL
鎖緊力 FORCE POWER	6000牛頓 6000N
附帶配件 Included	 不銹鋼手柄 x1 Stainless Steel Handle x1 pcs

品名：D100單頭手動卡盤
Manual Chuck D100(Quick Chuck 100P)

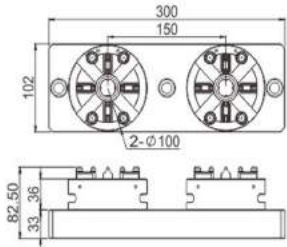
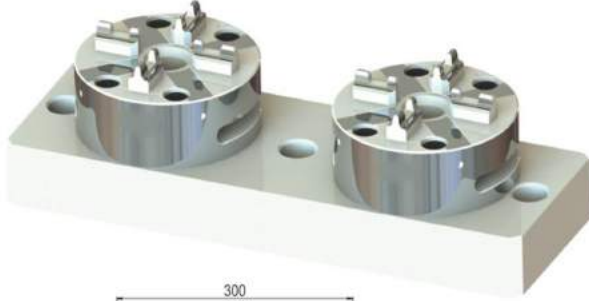
K0011



規格參數表 SPECIFICATION	
規格 SIZE	125x125x64.5mm
主體材料 MATERIAL	進口優質不銹鋼 57-60HRC NIPPON STAINLESS STEEL
鎖緊力 FORCE POWER	6000牛頓 6000N
附帶配件 Included	 附帶配件 x1 AL Plug x1 pcs  不銹鋼手柄 x1 Stainless Steel Handle x1 pcs

品名：D100手動卡盤(配多用途底板)
Manual Chuck D100 With Standard Base

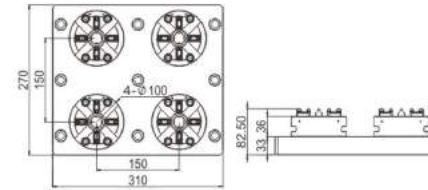
K0016



規格參數表 SPECIFICATION	
規格 SIZE	300x102x82.5mm
主體材料 MATERIAL	進口優質不銹鋼 57-60HRC NIPPON STAINLESS STEEL
鎖緊力 FORCE POWER	10000牛頓 10000N
附帶配件 Included	防屑鉛塞 x 2 AL Plug x2 pcs 不銹鋼手柄 x 2 Stainless Steel Handle x2 pcs

2 fold manual chuck D100 with base

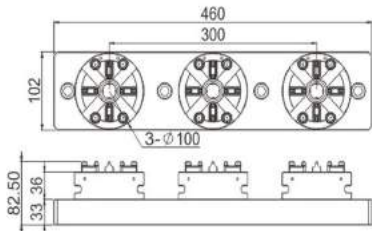
K0018



規格參數表 SPECIFICATION	
規格 SIZE	270x310x82.5mm
主體材料 MATERIAL	進口優質不銹鋼 57-60HRC NIPPON STAINLESS STEEL
鎖緊力 FORCE POWER	10000牛頓 10000N
附帶配件 Included	防屑鉛塞 x 4 AL Plug x4 pcs 不銹鋼手柄 x 4 Stainless Steel Handle x4 pcs

4 fold manual chuck D100 with base

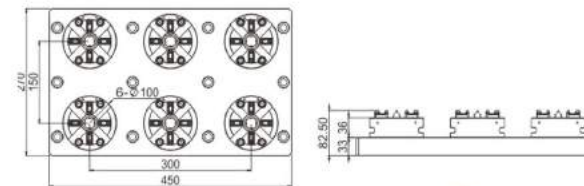
K0017



規格參數表 SPECIFICATION	
規格 SIZE	460x102x82.5mm
主體材料 MATERIAL	進口優質不銹鋼 57-60HRC NIPPON STAINLESS STEEL
鎖緊力 FORCE POWER	10000牛頓 10000N
附帶配件 Included	防屑鉛塞 x 3 AL Plug x3 pcs 不銹鋼手柄 x 3 Stainless Steel Handle x3 pcs

3 fold manual chuck D100 with base

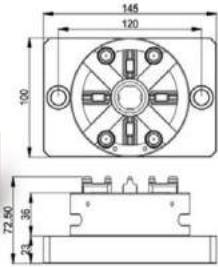
K0019



規格參數表 SPECIFICATION	
規格 SIZE	270x450x82.5mm
主體材料 MATERIAL	進口優質不銹鋼 57-60HRC NIPPON STAINLESS STEEL
鎖緊力 FORCE POWER	10000牛頓 10000N
附帶配件 Included	防屑鉛塞 x 6 AL Plug x6 pcs 不銹鋼手柄 x 6 Stainless Steel Handle x6 pcs

6 fold manual chuck D100 with base

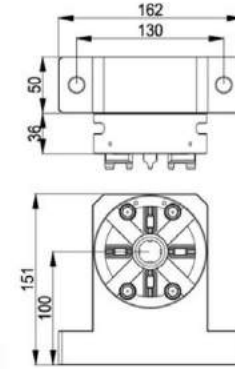
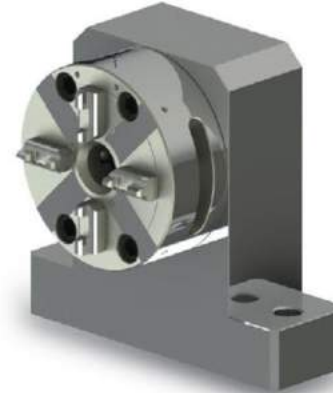
K0012



規格參數表 SPECIFICATION	
規格 SIZE	145x100x72.5mm
主體材料 MATERIAL	進口優質不銹鋼 57-60HRC NIPPON STAINLESS STEEL
鎖緊力 FORCE POWER	6000牛頓 6000N
附帶配件 Included	防塵鉛塞 x1 AL Plug x1 pcs 不銹鋼手柄 x1 Stainless Steel Handle x1 pcs

品名: D100 CNC手動卡盤
Manual Chuck D100 With CNC Base

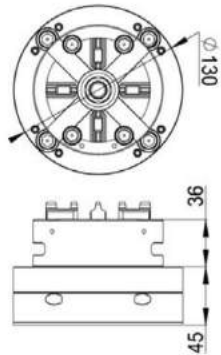
K0014



規格參數表 SPECIFICATION	
規格 SIZE	162x86x151mm
主體材料 MATERIAL	進口優質不銹鋼 57-60HRC NIPPON STAINLESS STEEL
鎖緊力 FORCE POWER	6000牛頓 6000N
附帶配件 Included	防塵鉛塞 x1 AL Plug x1 pcs 不銹鋼手柄 x1 Stainless Steel Handle x1 pcs

品名: D100曲頭手動卡盤 Vertical Manual Chuck D100

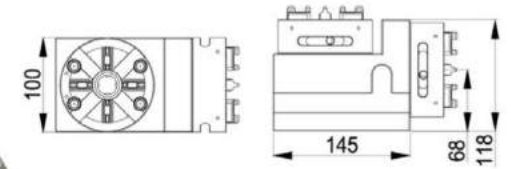
K0013



規格參數表 SPECIFICATION	
規格 SIZE	Φ130x81mm
主體材料 MATERIAL	進口優質不銹鋼 57-60HRC NIPPON STAINLESS STEEL
鎖緊力 FORCE POWER	6000牛頓 6000N
附帶配件 Included	不銹鋼手柄 x1 Stainless Steel Handle x1 pcs

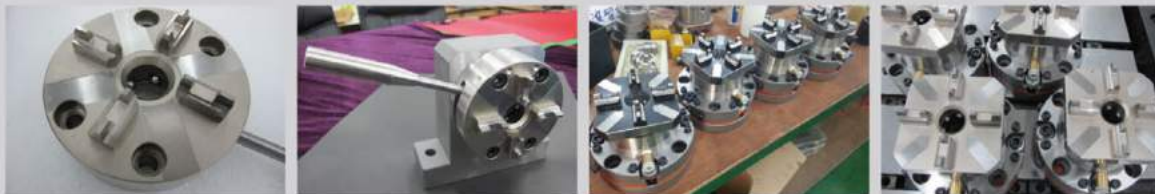
品名: D100 EDM手動卡盤
Manual Chuck D100 With EDM Base

K0015

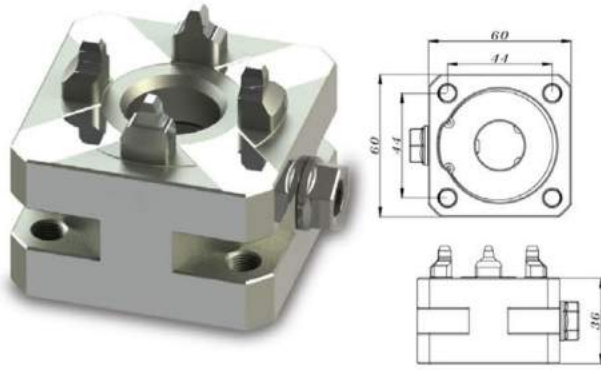


規格參數表 SPECIFICATION	
規格 SIZE	145x100x118mm
主體材料 MATERIAL	進口優質不銹鋼 57-60HRC NIPPON STAINLESS STEEL
鎖緊力 FORCE POWER	6000牛頓 6000N
附帶配件 Included	防塵鉛塞 x2 AL Plug x2 pcs 不銹鋼手柄 x2 Stainless Steel Handle x2 pcs

品名: D100橫立手動卡盤
Horizontal & Vertical Manual Chuck D100



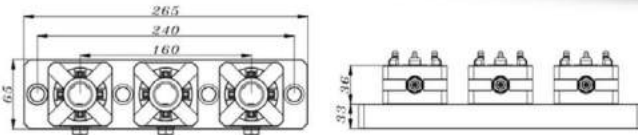
S0001



規格參數表 SPECIFICATION	
規格 SIZE	60x60x36mm
主體材料 MATERIAL	進口優質不銹鋼 57-60 HRC NIPPON STAINLESS STEEL
鎖緊力 FORCE POWER	4500牛頓 4500N
應用 Application	最新設計, 用六角匙鎖緊不易鬆脫, 適用各類機床 Latest Design, Not Easy To Loose

品名: 小型手動卡盤(螺絲鎖緊)
Manual Chuck D50(Screw Locking)

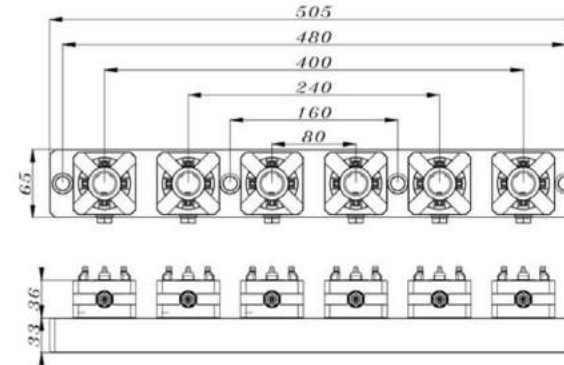
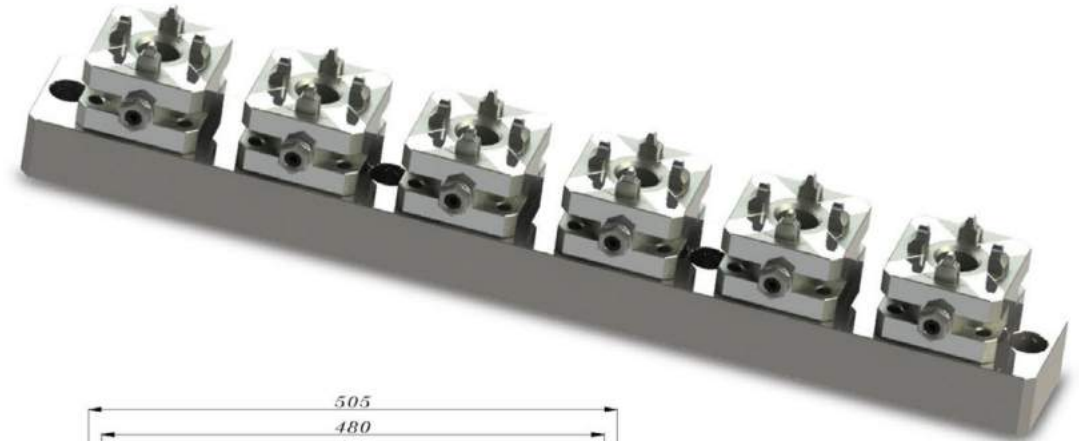
S0002



規格參數表 SPECIFICATION	
規格 SIZE	265x65x69mm
主體材料 MATERIAL	進口優質不銹鋼 57-60 HRC NIPPON STAINLESS STEEL
鎖緊力 FORCE POWER	4500牛頓 4500N

品名: 3頭小型手動卡盤(螺絲鎖緊)
3 in 1 Manual Chuck D50(Screw Locking)

S0003

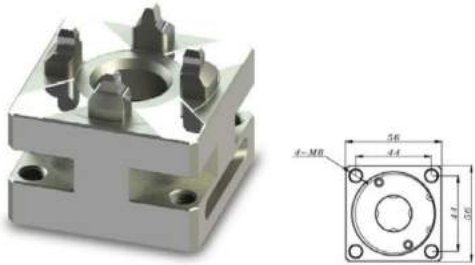


規格參數表 SPECIFICATION	
規格 SIZE	505x65x69mm
主體材料 MATERIAL	進口優質不銹鋼 57-60HRC NIPPON STAINLESS STEEL
鎖緊力 FORCE POWER	4500牛頓 4500N

品名: 6頭小型手動卡盤(螺絲鎖緊)
6 in 1 Manual Chuck D50 (Screw Locking)



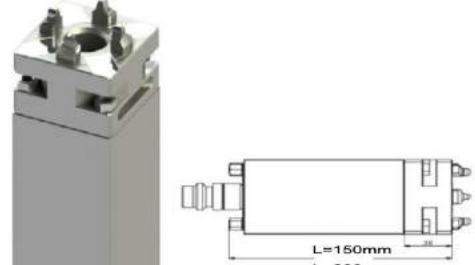
L0001



規格參數表 SPECIFICATION	
規格 SIZE	56x56x36mm
主體材料 MATERIAL	進口優質不銹鋼 57-60HRC NIPPON STAINLESS STEEL
鎖緊力 FORCE POWER	4000牛頓 4000N
附帶配件 Included	不銹鋼手柄 x1 Stainless Steel Handle x1 pcs

品名：小型手動卡盤(手柄鎖緊)
Quick Chuck 50

L0003



規格參數表 SPECIFICATION	
規格 SIZE	Lx56x56mm
主體材料 MATERIAL	Aluminum
鎖緊力 FORCE POWER	4000牛頓 4000N
附帶配件 Included	不銹鋼手柄 x1 Stainless Steel Handle x1 pcs

品名：小型加長EDM手動卡盤(手柄鎖緊)
Quick Chuck 50 With Extension Rod

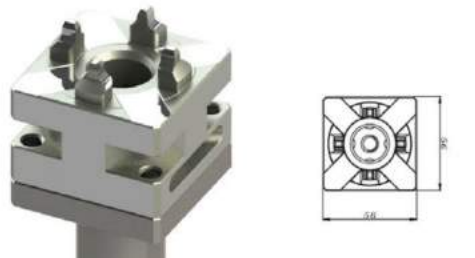
L0005



規格參數表 SPECIFICATION	
規格 SIZE	56x69.5x108mm
主體材料 MATERIAL	進口優質不銹鋼 57-60HRC NIPPON STAINLESS STEEL
鎖緊力 FORCE POWER	4000牛頓 4000N
附帶配件 Included	不銹鋼手柄 x1 Stainless Steel Handle x1 pcs

品名：小型轉向EDM手動卡盤(手柄鎖緊)
Vertical EDM Quick Chuck 50

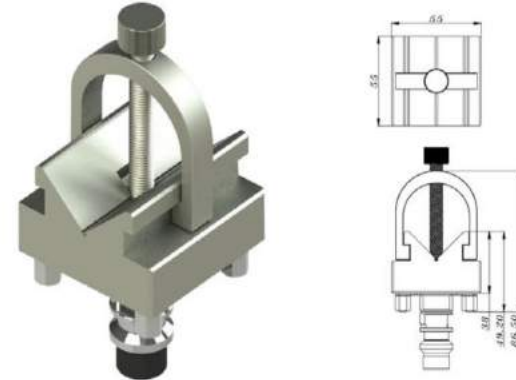
L0006



規格參數表 SPECIFICATION	
規格 SIZE	56x56x91mm
主體材料 MATERIAL	進口優質不銹鋼 57-60HRC NIPPON STAINLESS STEEL
鎖緊力 FORCE POWER	4000牛頓 4000N
附帶配件 Included	不銹鋼手柄 x1 Stainless Steel Handle x1 pcs

品名：小型EDM手動卡盤(手柄鎖緊-帶連接杆)
Quick Chuck 50(With Connect Rod)

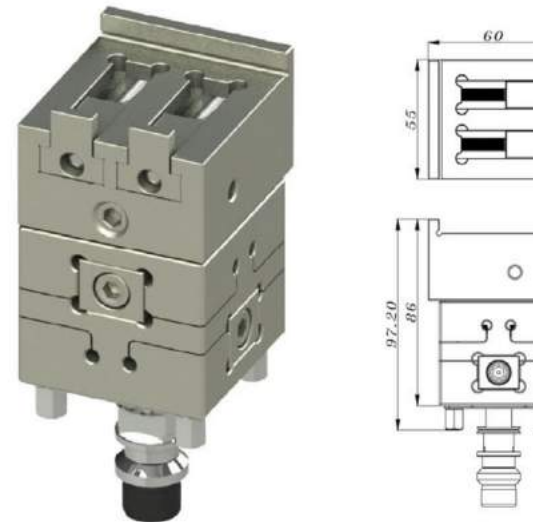
T0001



規格參數表 SPECIFICATION	
規格 SIZE	55x55x86.5mm
主體材料 MATERIAL	420不銹鋼 50-53HRC Stainless Steel 420
出廠要求 TOLERANCE	同心度 ± 0.005mm Concentricity Tolerance ± 0.005mm
應用 APPLICATION	適用EDM、WEDM機床 Suitable For EDM/WEDM

品名：V型座綫切割夾頭 V-Shape Wire Cut EDM Holder

T0002

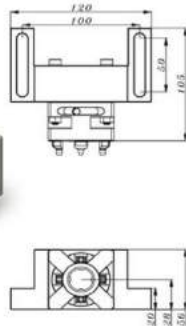


規格參數表 SPECIFICATION	
規格 SIZE	60x55x97.2mm
主體材料 MATERIAL	420不銹鋼 50-53HRC Stainless Steel 420
功能 FUNCTION	3軸多向微調，夾持小型工件 3 Axes Fine Adjustment, To Hold The Workpiece
應用 APPLICATION	適用WEDM機床 Suitable For WEDM

品名：3向微調綫切割夾具 3 Axes High Precision Control Jig



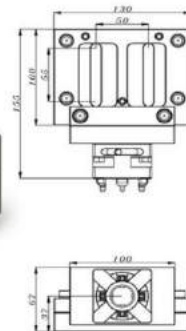
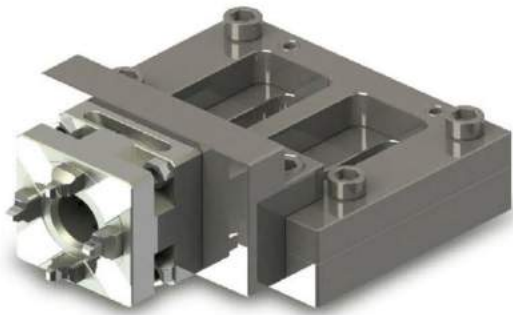
T0003



規格參數表 SPECIFICATION	
規格 SIZE	120x150x56mm
主體材料 MATERIAL	進口優質不銹鋼 57-60HRC NIPPON STAINLESS STEEL
鎖緊力 FORCE POWER	4000牛頓 4000N
附帶配件 INCLUDED	 不銹鋼手柄 x1 Stainless Steel Handle x1 pcs
應用 APPLICATION	適用EDM、WEDM機床 Suitable For EDM/WEDM

品名：固定式綫切割夾具 Fixed Wire-Cut EDM Chuck

T0004



規格參數表 SPECIFICATION	
規格 SIZE	130x155x67mm
主體材料 MATERIAL	進口優質不銹鋼 57-60HRC NIPPON STAINLESS STEEL
鎖緊力 FORCE POWER	4000牛頓 4000N
附帶配件 INCLUDED	 不銹鋼手柄 x1 Stainless Steel Handle x1 pcs
應用 APPLICATION	可微調，適用EDM、WEDM機床 Suitable For EDM/WEDM

品名：可調式綫切割夾具 Adjustable WEDM Chuck

028471



Angle clamping unit UnoSet

Q0009



品名 Name	Φ10膨脹定位銷 10 Expansion Positioning Pin
規格 Size	Φ10x30mm
材料 Material	硬質不銹鋼 Stainless Steel

Q0010



品名 Name	Φ20膨脹定位銷 20 Expansion Positioning Pin
規格 Size	Φ20x50mm
材料 Material	硬質不銹鋼 Stainless Steel

Q0011



品名 Name	1出4高身膠架 Shelf For 4 Pcs
規格 Size	120x120x45mm

Q0005A



品名 Name	電極校正頭 (高精度) Electrode Calibration
規格 Size	Ø100x110mm
應用 Application	裝配90定位片，側推力20-30kg，偏移公差0.05mm With Centering Plate 90, Side Thrust 20-30kg, Deviation 0.05mm

Q0013

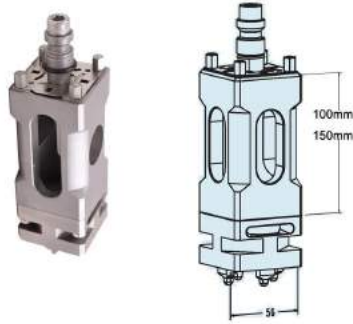


品名 Name	拉釘環 Replacing Ring for Spigot
應用 Application	損耗件，配合拉釘使用 To Replace The Consume Spigot's Ring



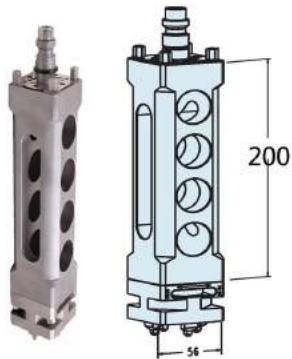
L0100

L0150



Stainless steel extension with quick chuck 50

L0200



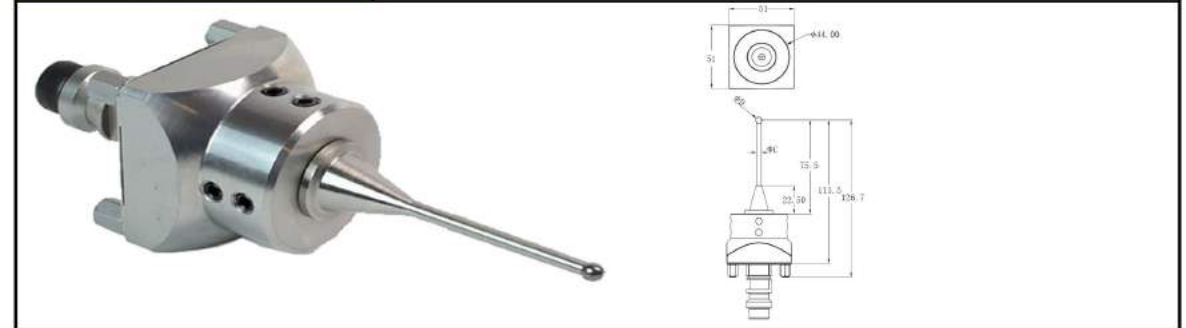
Stainless steel extension with quick chuck 50

LH200

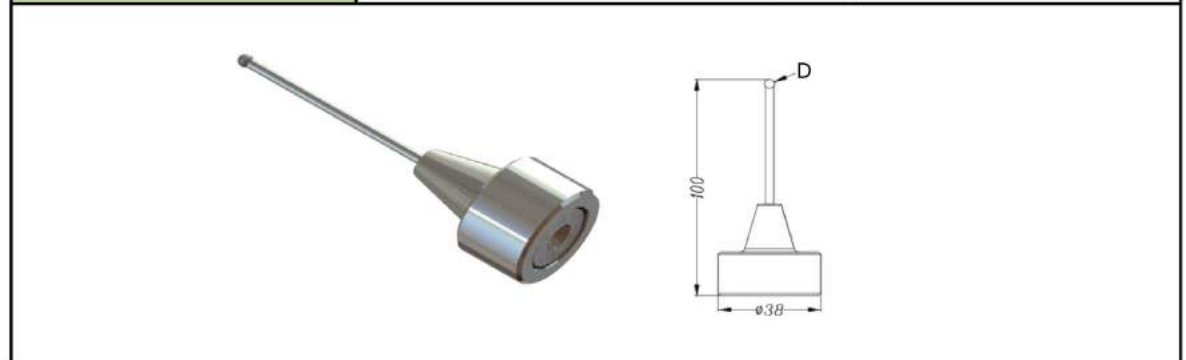


Horizontal extension 200mm

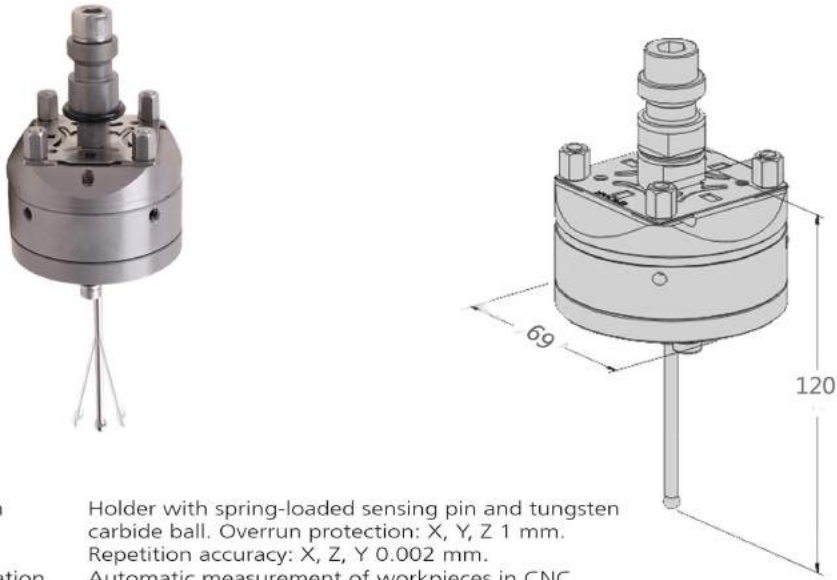
Code	Description
N00D3	D3 centering sensor
N00D4	D4 centering sensor
N00D5	D5 centering sensor
N00D6	D6 centering sensor
N00D8	D8 centering sensor
N00D10	D10 centering sensor



Code	Description
P00D3	D3 ball magnetic probe
P00D4	D4 ball magnetic probe
P00D5	D5 ball magnetic probe
P00D6	D6 ball magnetic probe
P00D8	D8 ball magnetic probe
P00D10	D10 ball magnetic probe



N0004B



Version Holder with spring-loaded sensing pin and tungsten carbide ball. Overrun protection: X, Y, Z 1 mm. Repetition accuracy: X, Z, Y 0.002 mm.

Application Automatic measurement of workpieces in CNC EDM-sinking centers.

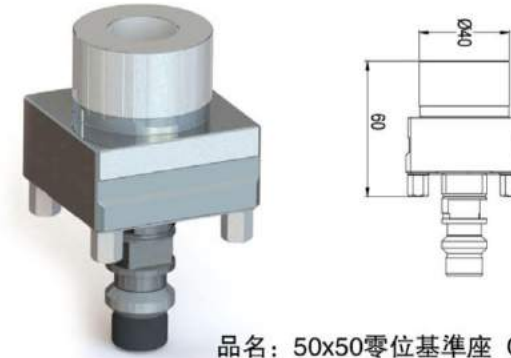
Spring Type Centering Sensor

Replacement pin



ball 2mm 3mm 4mm 5mm 6mm available

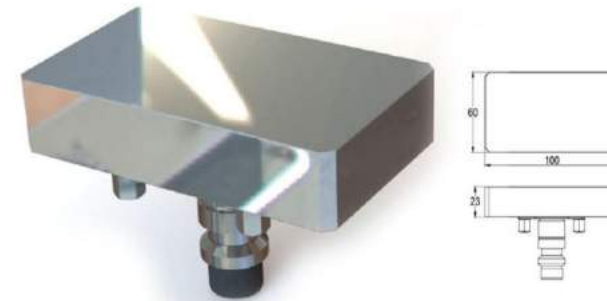
N0005



規格參數表 SPECIFICATION	
規格 Name	51x51x60mm
主體材料 Material	420不銹鋼 48-52HRC Stainless Steel 420
出廠要求 Tolerance	同心度 ± 0.002mm Concentricity Tolerance ± 0.002mm

品名：50x50零位基準座 Gauging Pin

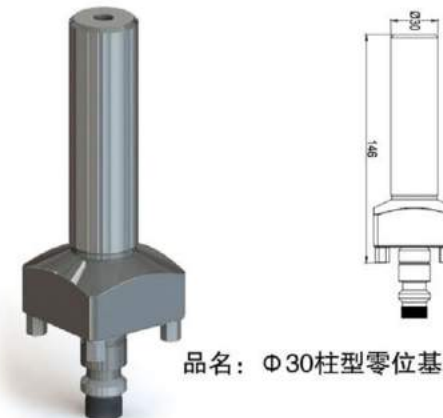
N0006



規格參數表 SPECIFICATION	
規格 Name	100x60x23mm
主體材料 Material	420不銹鋼 48-52HRC Stainless Steel 420
出廠要求 Tolerance	同心度 ± 0.002mm Concentricity Tolerance ± 0.002mm

品名：100x60零位基準座 Parallel Gauging Pin

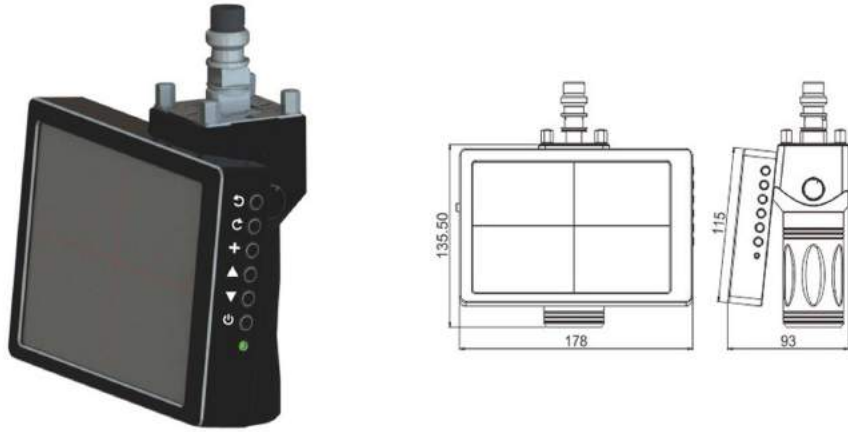
N0007



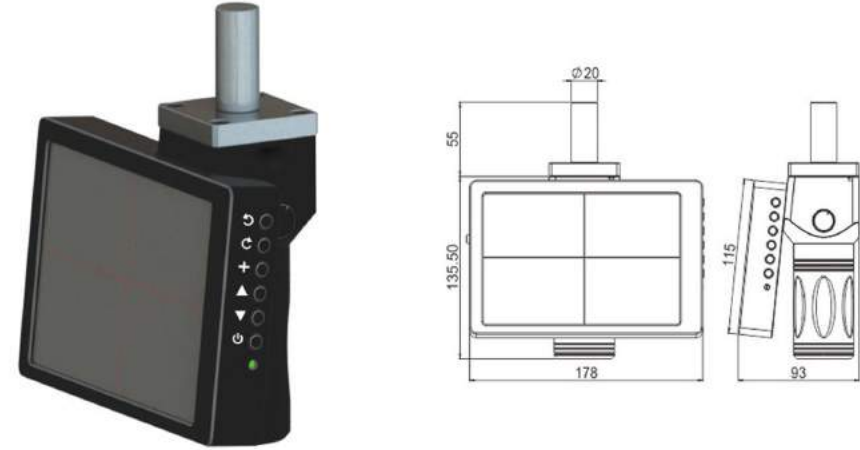
規格參數表 SPECIFICATION	
規格 Name	Φ30x146mm
主體材料 Material	420不銹鋼 48-52HRC Stainless Steel 420
出廠要求 Tolerance	同心度 ± 0.005mm Concentricity Tolerance ± 0.005mm

品名：Φ30柱型零位基準座 Checking Pin

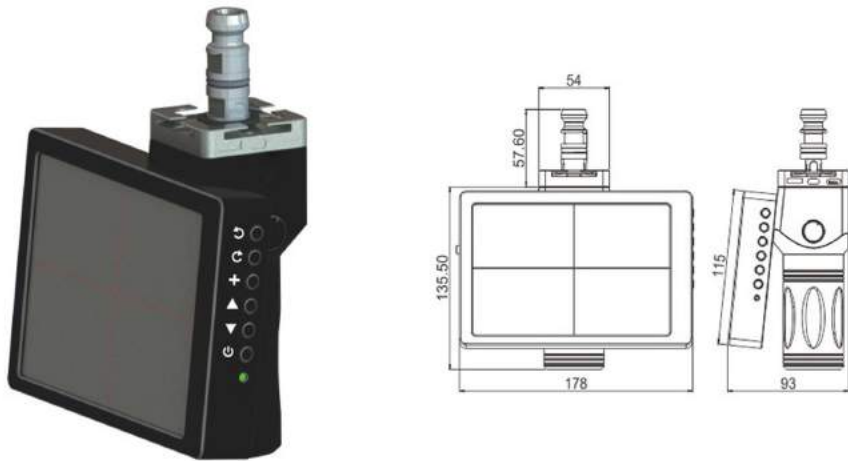
3080E Camera magnifer for EROWA



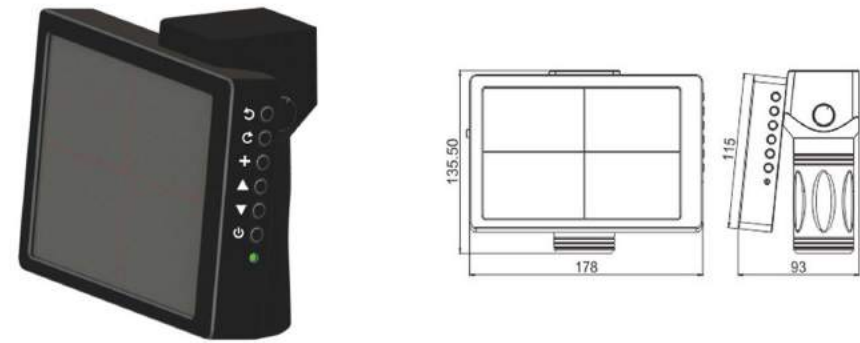
3080C Camera magnifer Universal



3080R Camera magnifer for 3R



3080M Camera magnifer Magnetic





Specification

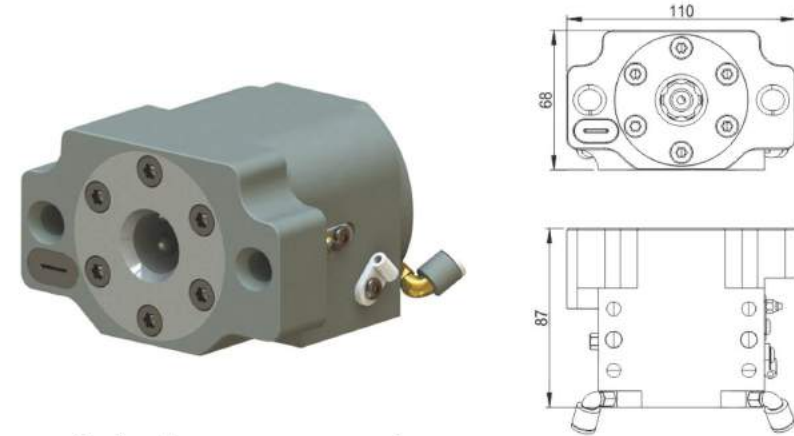
接口	EROWA	3R	20mm接柄	磁鐵
屏幕尺寸/像素	7寸/1080P			
可視精度	± 0.003mm			
放大倍數	50倍			
可測量角度	以15分角度為單元			
自動尋邊	找到工作點，會自動閃爍			
視屏標綫	白色，紅色，綠色，藍色，黑色			
旋轉角度	可手動旋轉十字標綫尋找中心點			
對焦距離	50-60mm			
光源	LED燈組（開關可調）			
功率/電壓	400MA(DC 12V)			
鋰電容量	4800MA			
充電器	12V (2A)			
產品外形尺寸	178X135X90mm mm			
產品淨重約	2kg			
外包裝尺寸	260*260*150mm			
主體材料	鋁合金+陽極處理			
產品包裝	銀色豪華手提箱			

M1004



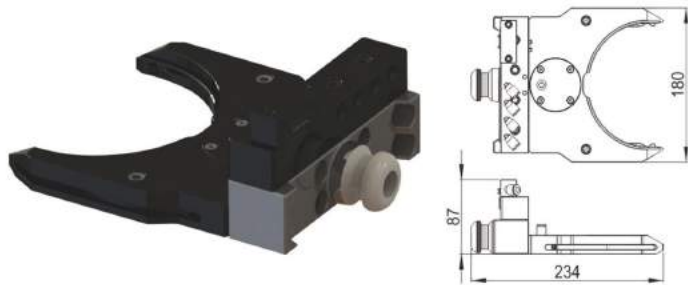
ITS 50 electrode changer

M1006



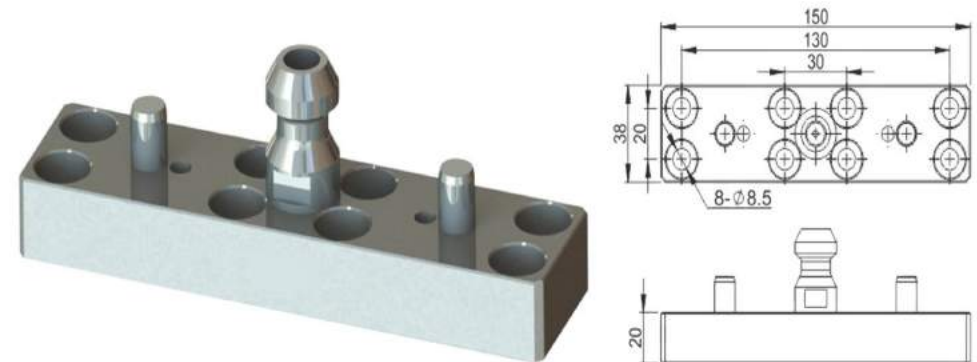
Robot arm connecter

M1005



ITS 148 pallet changer

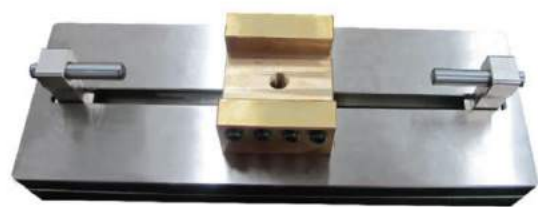
M1007



GripperLink coupling for UPC pallets

Q0015		Q0016	
			
品名 Name	防屑鋁塞 Swarf-proof Alumininum Plug	品名 Name	日本扭力扳手 Torque Wrench(Japan)
應用 Application	防屑用 Use For Chuck	產地 Original	日本 Japan

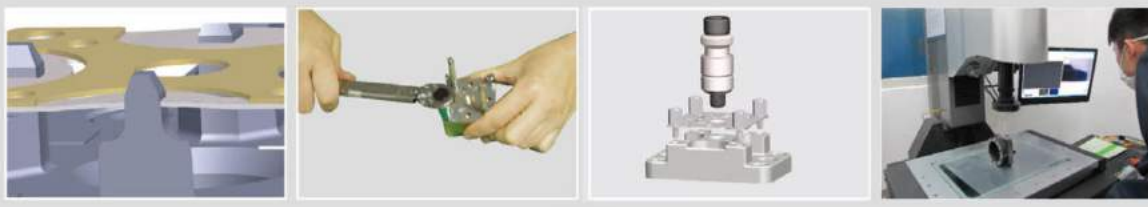
Q0017		Q0018	
			
品名 Name	Airtac開關A Air Chuck Switch(EDM Type)	品名 Name	Airtac開關B Air Chuck Switch(CNC Type)
產地 Original	臺灣 Taiwan	產地 Original	臺灣 Taiwan


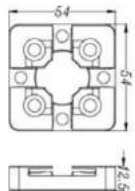
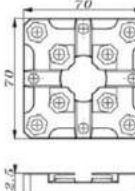
Q0022									
									
<table border="1"> <tr> <th colspan="2">規格參數表 SPECIFICATION</th> </tr> <tr> <td>規格 Size</td> <td>250x90x60mm</td> </tr> <tr> <td>主體材料 MATERIAL</td> <td>420 不銹鋼 32-36HRC</td> </tr> <tr> <td>應用 Application</td> <td>方便電極裝夾尋中 centering the workpiece easily</td> </tr> </table>		規格參數表 SPECIFICATION		規格 Size	250x90x60mm	主體材料 MATERIAL	420 不銹鋼 32-36HRC	應用 Application	方便電極裝夾尋中 centering the workpiece easily
規格參數表 SPECIFICATION									
規格 Size	250x90x60mm								
主體材料 MATERIAL	420 不銹鋼 32-36HRC								
應用 Application	方便電極裝夾尋中 centering the workpiece easily								
品名: 電極中心器 Workpiece centering device									




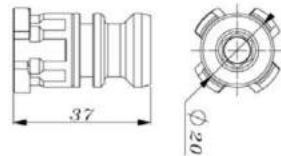
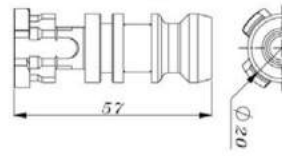
Z140A	Z140D	TubeS	TubeM
Small hole EDM ceramic guide	Small hole EDM ceramic guide	copper electrode tube single hole	copper electrode tube multi hole
0.3mm~3.0mm available	0.3mm~3.0mm available	hole 0.3mm~3.0mm L400mm	hole 1.0mm~3.0mm L400mm
			

Code	Description
TB-M3-3050	M3*30*50 mm
TB-M3-4060	M3*40*60 mm
TB-M4-3050	M4*30*50 mm
TB-M4-4060	M4*40*60 mm
TB-M5-3050	M5*30*50 mm
TB-M5-4060	M5*40*60 mm
TB-M6-3050	M6*30*50 mm
TB-M6-4060	M6*40*60 mm
TB-M8-3050	M8*30*50 mm
TB-M8-4060	M8*40*60 mm
TB-M10-3050	M10*30*50 mm
TB-M10-4060	M10*40*60 mm
TB-M12-3050	M12*30*50 mm
TB-M12-4060	M12*40*60 mm
Other custom-made	


tungsten brass threaded electrode



3M0001	3M0002																
																	
品名: 54x54定位片 3M Centering Plate 54x54	品名: 70x70定位片 3M Centering Plate 70x70																
 <table border="1"> <thead> <tr> <th colspan="2">規格參數表 SPECIFICATION</th> </tr> </thead> <tbody> <tr> <td>規格 Size</td> <td>54x54x12.5mm</td> </tr> <tr> <td>鑄件 Casting</td> <td>臺灣鑄造 Taiwan Foundry</td> </tr> <tr> <td>主體材料 Material</td> <td>420不銹鋼 40-44HRC Stainless Steel 420</td> </tr> </tbody> </table>	規格參數表 SPECIFICATION		規格 Size	54x54x12.5mm	鑄件 Casting	臺灣鑄造 Taiwan Foundry	主體材料 Material	420不銹鋼 40-44HRC Stainless Steel 420	 <table border="1"> <thead> <tr> <th colspan="2">規格參數表 SPECIFICATION</th> </tr> </thead> <tbody> <tr> <td>規格 Size</td> <td>70x70x12.5mm</td> </tr> <tr> <td>鑄件 Casting</td> <td>臺灣鑄造 Taiwan Foundry</td> </tr> <tr> <td>主體材料 Material</td> <td>420不銹鋼 40-44HRC Stainless Steel 420</td> </tr> </tbody> </table>	規格參數表 SPECIFICATION		規格 Size	70x70x12.5mm	鑄件 Casting	臺灣鑄造 Taiwan Foundry	主體材料 Material	420不銹鋼 40-44HRC Stainless Steel 420
規格參數表 SPECIFICATION																	
規格 Size	54x54x12.5mm																
鑄件 Casting	臺灣鑄造 Taiwan Foundry																
主體材料 Material	420不銹鋼 40-44HRC Stainless Steel 420																
規格參數表 SPECIFICATION																	
規格 Size	70x70x12.5mm																
鑄件 Casting	臺灣鑄造 Taiwan Foundry																
主體材料 Material	420不銹鋼 40-44HRC Stainless Steel 420																

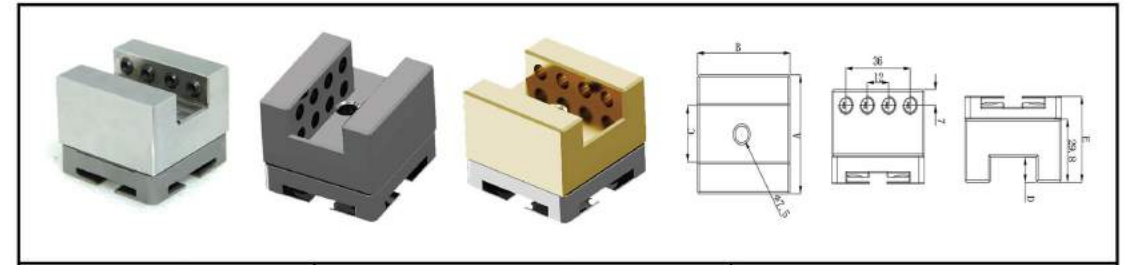
3M0003	3M0004	3M0005
		
		
品名 手動拉杆 Name 3M Manual Spigot(Short) 材料 硬質不銹鋼 48-52HRC Material Stainless Steel	品名 氣動拉杆 Name 3M Automatic Spigot(Long) 材料 硬質不銹鋼 48-52HRC Material Stainless Steel	品名 拉杆固定膠托 Name 3M Spigot Plastic Part 材料 ABS 應用 連接固定用 Application

3MSC01	3MSC02
	

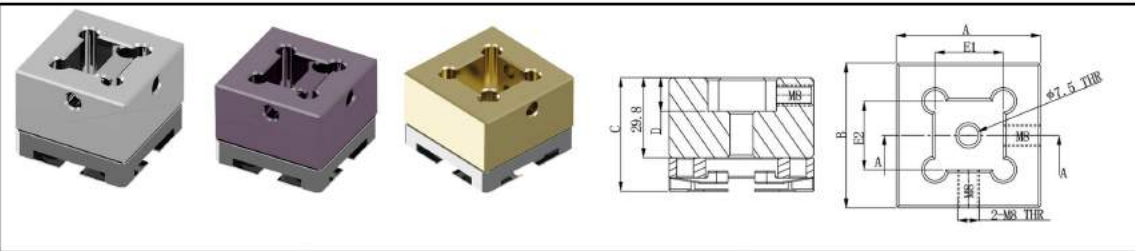
3M0006	3M0007B
	
品名 Name D6鑄鋼珠中心棒 D6 Centering Sensor (3M)	Version Holder with spring-loaded sensing pin and tungsten carbide ball. Overrun protection: X, Y, Z 1 mm. Repetition accuracy: X, Z, Y 0.002 mm.
規格 Size 54x54x120mm	Application Automatic measurement of workpieces in CNC EDM-sinking centers.
主體材料 Material 420不銹鋼 32-36HRC Stainless Steel 420	
3M0008	3M0009
	
品名 Name 100x60零位基準座 Parallel Gauging Pin(3M)	品名 Name φ30柱型零位基準座 Checking Pin(3M)
規格 Size 100x60x37.5mm	規格 Size 54x54x148mm
主體材料 Material 420不銹鋼 48-52HRC Stainless Steel 420	主體材料 Material 420不銹鋼 48-52HRC Stainless Steel 420
出廠要求 Tolerance 同心度 ± 0.002mm Parallelism ± 0.002mm	出廠要求 Tolerance 同心度 ± 0.005mm Parallelism ± 0.005mm

3M0010		3MN0005	
			
品名 Name	手動檢測雲石臺 3M Manual Checking table	Gauging pin 3M	
規格 Size	400x600mm		
標準配置 Standard configuration	日本三菱百分表 Dial Indicator 1 pcs 1個		
應用 Application	檢測電極分中 Checking center		
3M0013		3M0014	
			
品名 Name	ER32鎖嘴夾具 ER-32 Collet Holder	品名 Name	電極校正頭 (高精度) Electrode Calibration
規格 SIZE	52x52x78mm	規格 Size	Ø100x110mm
主體材料 MATERIAL	420 不銹鋼 48-52HRC Stainless Steel 420	應用 Application	裝配90定位片, 側推力20-30kg, 偏移公差0.05mm With 3M Centering Plate, Side Thrust 20-30kg, Deviation 0.05mm
附帶配件 Included	Φ12鎖嘴1個 Φ12 Collet 1pcs		
公差要求 Tolerance	裝夾電極後同心度 ± 0.015(延長50mm) After Assemble Copper Electrode, Concentricity Tolerance ± 0.015mm		

3MER01	3MPV01
	
Adapter 3R-EROWA	3M Rotatable pendulum vise

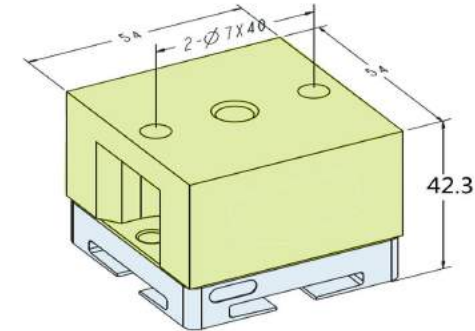


Code	Description	Size (A*B*E*C*D)
3MU15A	U15 Aluminium holder	54*54*42.3*16*12.5 mm
3MU20A	U20 Aluminium holder	54*54*42.3*21*12.5 mm
3MU25A	U25 Aluminium holder	54*54*42.3*26*12.5 mm
3MU30A	U30 Aluminium holder	54*54*42.3*31*12.5 mm
3MU35A	U35 Aluminium holder	60*54*42.3*36*12.5 mm
3MU40A	U40 Aluminium holder	65*54*42.3*41*12.5 mm
3MU45A	U45 Aluminium holder	70*54*42.3*46*12.5 mm
3MU50A	U50 Aluminium holder	75*54*42.3*51*12.5 mm
3MU15S	U15 Stainless steel holder	54*54*42.3*16*12.5 mm
3MU20S	U20 Stainless steel holder	54*54*42.3*21*12.5 mm
3MU25S	U25 Stainless steel holder	54*54*42.3*26*12.5 mm
3MU30S	U30 Stainless steel holder	54*54*42.3*31*12.5 mm
3MU35S	U35 Stainless steel holder	60*54*42.3*36*12.5 mm
3MU40S	U40 Stainless steel holder	65*54*42.3*41*12.5 mm
3MU45S	U45 Stainless steel holder	70*54*42.3*46*12.5 mm
3MU50S	U50 Stainless steel holder	75*54*42.3*51*12.5 mm
3MU15B	U15 Brass holder	54*54*42.3*16*12.5 mm
3MU20B	U20 Brass holder	54*54*42.3*21*12.5 mm
3MU25B	U25 Brass holder	54*54*42.3*26*12.5 mm
3MU30B	U30 Brass holder	54*54*42.3*31*12.5 mm
3MU35B	U35 Brass holder	60*54*42.3*36*12.5 mm
3MU40B	U40 Brass holder	65*54*42.3*41*12.5 mm
3MU45B	U45 Brass holder	70*54*42.3*46*12.5 mm
3MU50B	U50 Brass holder	75*54*42.3*51*12.5 mm

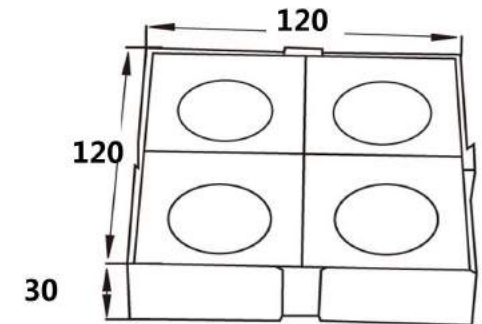


Code	Description	Size (A*B*C*E1*E2*D)
3MS15A	S15 Aluminium holder	54*54*42.3*16*16*15 mm
3MS20A	S20 Aluminium holder	54*54*42.3*21*21*15 mm
3MS25A	S25 Aluminium holder	54*54*42.3*26*26*15 mm
3MS30A	S30 Aluminium holder	54*54*42.3*31*31*15mm
3MS35A	S35 Aluminium holder	60*60*42.3*36*36*15 mm
3MS40A	S40 Aluminium holder	65*65*42.3*41*41*15 mm
3MS45A	S45 Aluminium holder	70*70*42.3*46*46*15 mm
3MS50A	S50 Aluminium holder	75*75*42.3*51*51*15 mm
3MS15S	S15 Stainless steel holder	54*54*42.3*16*16*15 mm
3MS20S	S20 Stainless steel holder	54*54*42.3*21*21*15 mm
3MS25S	S25 Stainless steel holder	54*54*42.3*26*26*15 mm
3MS30S	S30 Stainless steel holder	54*54*42.3*31*31*15mm
3MS35S	S35 Stainless steel holder	60*60*42.3*36*36*15 mm
3MS40S	S40 Stainless steel holder	65*65*42.3*41*41*15 mm
3MS45S	S45 Stainless steel holder	70*70*42.3*46*46*15 mm
3MS50S	S50 Stainless steel holder	75*75*42.3*51*51*15 mm
3MS15B	S15 Brass holder	54*54*42.3*16*16*15 mm
3MS20B	S20 Brass holder	54*54*42.3*21*21*15 mm
3MS25B	S25 Brass holder	54*54*42.3*26*26*15 mm
3MS30B	S30 Brass holder	54*54*42.3*31*31*15mm
3MS35B	S35 Brass holder	60*60*42.3*36*36*15 mm
3MS40B	S40 Brass holder	65*65*42.3*41*41*15 mm
3MS45B	S45 Brass holder	70*70*42.3*46*46*15 mm
3MS50B	S50 Brass holder	75*75*42.3*51*51*15 mm

- 3MP01A Aluminium Uniplate holder
- 3MP01S Stainless Uniplate holder
- 3MP01B Brass Uniplate holder



3MSHELL



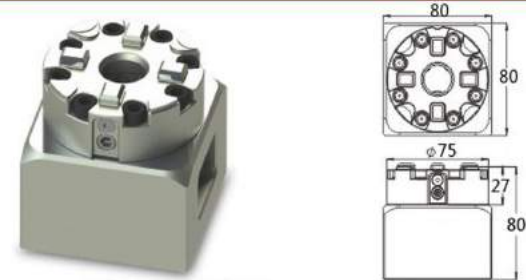
3M0033



規格參數表 SPECIFICATION	
規格 SIZE	Φ75x27mm
主體材料 MATERIAL	進口優質不銹鋼 57-60HRC NIPPON STAINLESS STEEL
鎖緊力 FORCE POWER	6000牛頓 6000N
應用 Application	通用數顯機床

品名: D75手動單頭卡盤(螺絲鎖緊) D75 3M Manual Chuck

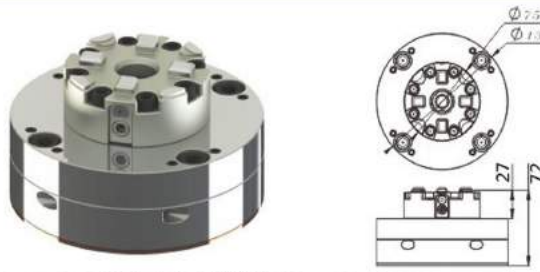
3M0034



規格參數表 SPECIFICATION	
規格 SIZE	80x80x80mm
主體材料 MATERIAL	進口優質不銹鋼 57-60HRC NIPPON STAINLESS STEEL
鎖緊力 FORCE POWER	6000牛頓 6000N
應用 Application	通用數顯機床

品名: D75 CNC手動卡盤(螺絲鎖緊) D75 3M CNC Manual Chuck

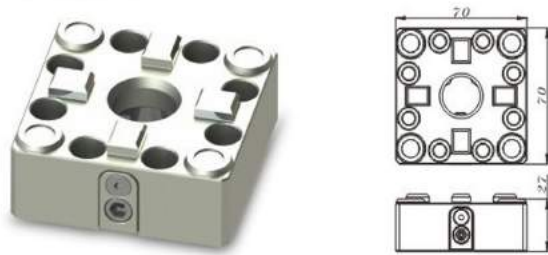
3M0035



規格參數表 SPECIFICATION	
規格 SIZE	Φ130x72mm
主體材料 MATERIAL	進口優質不銹鋼 57-60HRC NIPPON STAINLESS STEEL
鎖緊力 FORCE POWER	6000牛頓 6000N
應用 Application	EDM機床

品名: D75 EDM手動卡盤(螺絲鎖緊) D75 3M EDM Manual Chuck

3M0046



規格參數表 SPECIFICATION	
規格 SIZE	70x70x27mm
主體材料 MATERIAL	進口優質不銹鋼 57-60HRC NIPPON STAINLESS STEEL
鎖緊力 FORCE POWER	6000牛頓 6000N
應用 Application	通用數顯機床

品名: 70方型手動單頭卡盤(螺絲鎖緊) 70 mm square Manual M Chuck (screw locking)

3M0036A



規格參數表 SPECIFICATION	
規格 SIZE	56x56x37.5mm
主體材料 MATERIAL	進口優質不銹鋼 57-60HRC NIPPON STAINLESS STEEL
鎖緊力 FORCE POWER	4000牛頓 4000N
應用 Application	通用數顯機床

品名: 56x56單頭手動卡盤(手柄鎖緊) 56x56 3M Manual Chuck

3M0036



規格參數表 SPECIFICATION	
規格 SIZE	Φ100x49.5mm
主體材料 MATERIAL	進口優質不銹鋼 57-60HRC NIPPON STAINLESS STEEL
鎖緊力 FORCE POWER	10000牛頓 10000N
應用 Application	通用數顯機床

品名: D100單頭手動卡盤(手柄鎖緊) D100 3M Manual Chuck

3M0037



規格參數表 SPECIFICATION	
規格 SIZE	145x100x60.5mm
主體材料 MATERIAL	進口優質不銹鋼 57-60HRC NIPPON STAINLESS STEEL
鎖緊力 FORCE POWER	10000牛頓 10000N
應用 Application	通用數顯機床

品名: D100 CNC手動卡盤(手柄鎖緊) D100 3M Manual Chuck Wit CNC Base

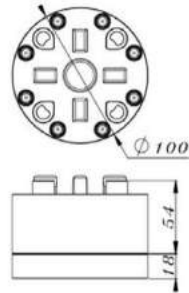
3M0038



規格參數表 SPECIFICATION	
規格 SIZE	Φ130x82.5mm
主體材料 MATERIAL	進口優質不銹鋼 57-60HRC NIPPON STAINLESS STEEL
鎖緊力 FORCE POWER	10000牛頓 10000N
應用 Application	EDM機床

品名: D100 EDM手動卡盤(手柄鎖緊) D100 3M Manual Chuck Wit EDM Base

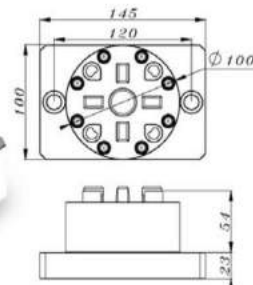
3M0039



規格參數表 SPECIFICATION	
規格 Size	Φ100x72mm
主體材料 MATERIAL	日本優質鉻鋼 57-60HRC NIPPON STAINLESS STEEL
使用壓力 Min Air Pressure	6公斤 6 Bar
鎖緊力 FORCE POWER	10000牛頓 10000N

品名: D100 單頭氣動卡盤 D100 3M Pneumatic Chuck

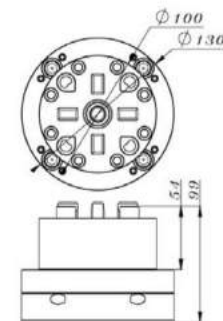
3M0040



規格參數表 SPECIFICATION	
規格 Size	145x100x77mm
主體材料 MATERIAL	日本優質鉻鋼 57-60HRC NIPPON STAINLESS STEEL
使用壓力 Min Air Pressure	6公斤 6 Bar
鎖緊力 FORCE POWER	10000牛頓 10000N

品名: D100 CNC氣動卡盤 D100 3M CNC Pneumatic Chuck

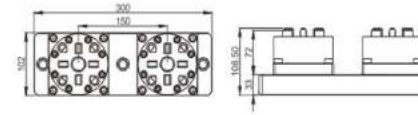
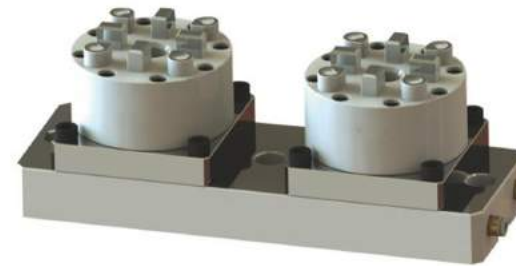
3M0041



規格參數表 SPECIFICATION	
規格 Size	Φ130x99mm
主體材料 MATERIAL	日本優質鉻鋼 57-60HRC NIPPON STAINLESS STEEL
使用壓力 Min Air Pressure	6公斤 6 Bar
鎖緊力 FORCE POWER	10000牛頓 10000N

品名: D100 EDM氣動卡盤 D100 3M EDM Pneumatic Chuck

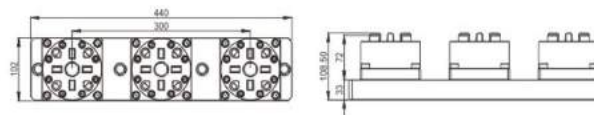
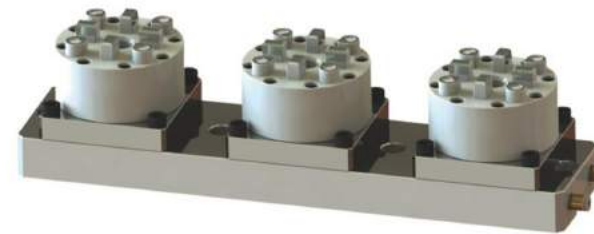
3M0042



規格參數表 SPECIFICATION	
規格 SIZE	300x102x108.5mm
主體材料 MATERIAL	日本優質鉻鋼 57-60HRC NIPPON STAINLESS STEEL
使用壓力 Min Air Pressure	6公斤 6 Bar
鎖緊力 FORCE POWER	10000牛頓 10000N
氣壓控制 SWITCH	1控2 (既1個開關控制2個卡盤)
應用 Application	CNC機床

品名: 3M D100 兩頭 CNC氣動卡盤

3M0043

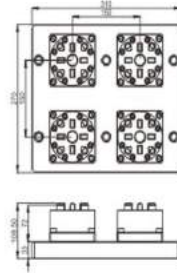


規格參數表 SPECIFICATION	
規格 SIZE	400x102x108.5mm
主體材料 MATERIAL	日本優質鉻鋼 57-60HRC NIPPON STAINLESS STEEL
使用壓力 Min Air Pressure	6公斤 6 Bar
鎖緊力 FORCE POWER	10000牛頓 10000N
氣壓控制 SWITCH	1控3 (既1個開關控制3個卡盤)
應用 Application	CNC機床

品名: 3M D100 三頭 CNC氣動卡盤



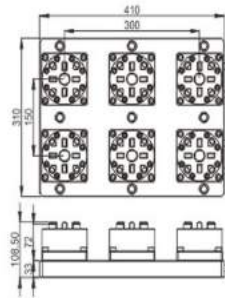
3M0044



規格參數表 SPECIFICATION	
規格 SIZE	310x270x108.5mm
主體材料 MATERIAL	日本優質鉻鋼 57-60HRC NIPPON STAINLESS STEEL
使用壓力 Min Air Pressure	6公斤 6 Bar
鎖緊力 FORCE POWER	10000牛頓 10000N
氣閥控制 SWITCH	2控4 (既1個開關控制2個卡盤) 4 Chuck Control by 2 Switch
應用 Application	CNC機床

品名: 3M D100 四頭 CNC氣動卡盤

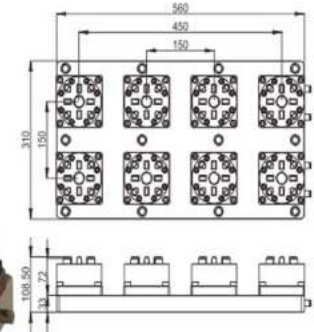
3M0045



規格參數表 SPECIFICATION	
規格 SIZE	310x410x108.5mm
主體材料 MATERIAL	日本優質鉻鋼 57-60HRC NIPPON STAINLESS STEEL
使用壓力 Min Air Pressure	6公斤 6 Bar
鎖緊力 FORCE POWER	10000牛頓 10000N
氣閥控制 SWITCH	2控6 (既1個開關控制3個卡盤) 6 Chuck Control by 2 Switch
應用 Application	CNC機床

品名: 3M D100 六頭 CNC氣動卡盤

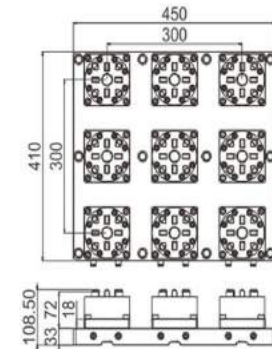
3M0046N8



規格參數表 SPECIFICATION	
規格 SIZE	310x560x108.5mm
主體材料 MATERIAL	日本優質鉻鋼 57-60HRC NIPPON STAINLESS STEEL
使用壓力 Min Air Pressure	6公斤 6 Bar
鎖緊力 FORCE POWER	10000牛頓 10000N
氣閥控制 SWITCH	2控8 (既1個開關控制4個卡盤) 8 Chuck Control by 2 Switch
應用 Application	CNC機床

品名: 3M D100 八頭 CNC氣動卡盤

3M0047



規格參數表 SPECIFICATION	
規格 SIZE	410x450x108.5mm
主體材料 MATERIAL	日本優質鉻鋼 57-60HRC NIPPON STAINLESS STEEL
使用壓力 Min Air Pressure	6公斤 6 Bar
鎖緊力 FORCE POWER	10000牛頓 10000N
氣閥控制 SWITCH	3控9 (既1個開關控制3個卡盤) 9 Chuck Control by 3 Switch
應用 Application	CNC機床

品名: 3M D100 九頭 CNC氣動卡盤

3M0048



品名: 3M D150 CNC氣動卡盤

規格參數表 SPECIFICATION	
規格 SIZE	198x170x83mm
主體材料 MATERIAL	日本優質鉻鋼 57-60HRC NIPPON STAINLESS STEEL
使用壓力 AIR PRESSURE REQUIRE	6公斤 6Bar
鎖緊力 FORCE POWER	15000牛頓 15000N

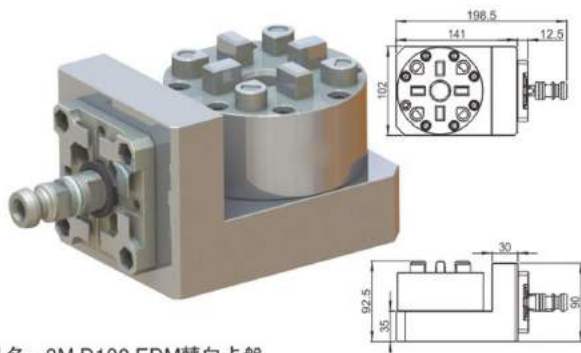
3M0049



品名: 3M D150 托板

規格參數表 SPECIFICATION	
規格 SIZE	160x35mm
主體材料 MATERIAL	420不銹鋼 Stainless Steel 420
硬度 HARDNESS	48-52HRC
裝配 ASSEMBLY	3M拉釘

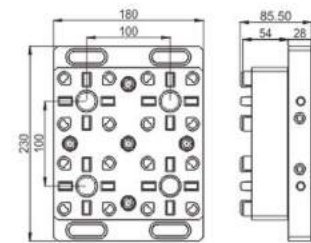
3M0050



品名: 3M D100 EDM轉向卡盤

規格參數表 SPECIFICATION	
規格 SIZE	198.5x102x92.5mm
主體材料 MATERIAL	日本優質鉻鋼 57-60HRC NIPPON STAINLESS STEEL
使用壓力 AIR PRESSURE REQUIRE	6公斤 6Bar
鎖緊力 FORCE POWER	10000牛頓 10000N
應用 Application	EDM用

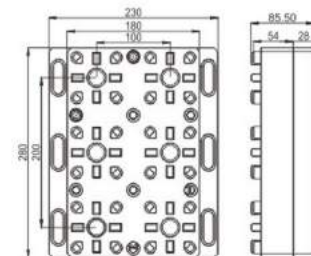
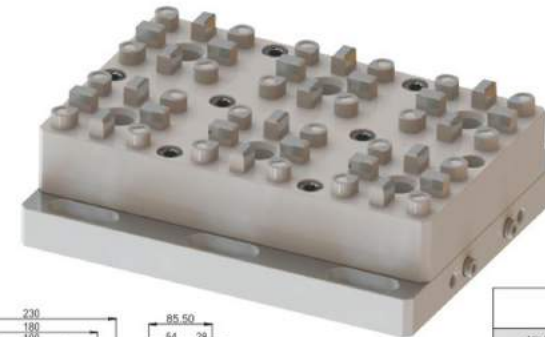
3M0051



品名: 3M 四頭小型氣動卡盤

規格參數表 SPECIFICATION	
規格 SIZE	230x180x85.5mm
主體材料 MATERIAL	日本優質鉻鋼 57-60HRC NIPPON STAINLESS STEEL
使用壓力 AIR PRESSURE REQUIRE	6公斤 6Bar
鎖緊力 FORCE POWER	10000牛頓 10000N
氣閥控制 Switch	1控4 (即1個開關控制4個卡盤) 4 chucks control by 1 switch
應用 Application	CNC機床

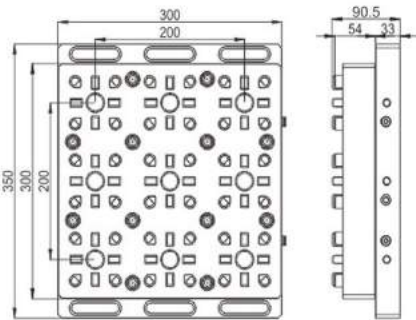
3M0052



品名: 3M 六頭小型氣動卡盤

規格參數表 SPECIFICATION	
規格 SIZE	230x280x85.5mm
主體材料 MATERIAL	日本優質鉻鋼 57-60HRC NIPPON STAINLESS STEEL
使用壓力 AIR PRESSURE REQUIRE	6公斤 6Bar
鎖緊力 FORCE POWER	10000牛頓 10000N
氣閥控制 Switch	2控6 (即2個開關控制6個卡盤) 6 chucks control by 2 switch
應用 Application	CNC機床

3M0053



規格參數表 SPECIFICATION	
規格 SIZE	300x350x90.5mm
主體材料 MATERIAL	日本優質鉻鋼 57-60HRC NIPPON STAINLESS STEEL
使用壓力 AIR PRESSURE REQUIRE	6公斤 6Bar
鎖緊力 FORCE POWER	6000牛頓 6000N
氣閥控制 Switch	3控9 (即3個開關控制9個卡盤) 9 chucks control by 3 switch
應用 Application	CNC機床

品名: 3M 九頭小型氣動卡盤

3MD100M



D100 manual chuck

3MD80M

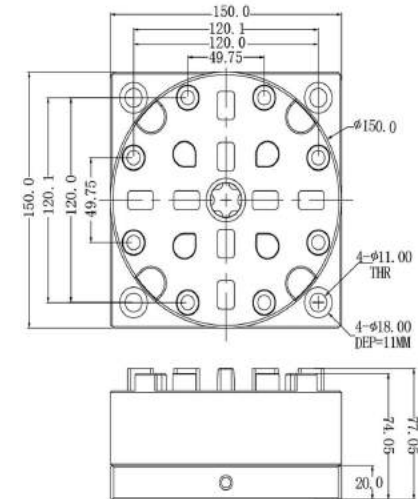


D80 manual chuck

3MD150P



規格參數表 Typical Data	
規格 Specification	150x150x77.05mm
主體材料 Body Material	日本優質鉻鋼 57-60HRC Nippon Chromium Steel
使用壓力 Using Pressure	6公斤 Air pressure 6 bar/kg
鎖緊力 Clamping Force	15000牛頓 15000N (Newton)
主體調質 Body Heat Treatment	真空熱處理加深冷 Vacuum Heat Treatment and Pro-longed cooling
包裝 Packing	環保包裝 Environmental protection packing
應用 Application	適用CNC機床 Suitable for CNC lathe

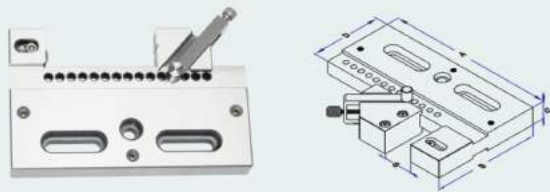


D150 Pneumatic power chuck

手动慢走丝夹具(虎钳)

VIS650

夹具材质为马氏体不锈钢，具有抗腐蚀和耐磨损的特点；
 手动设计使用方便灵活，适用于小零件加工；
 △ The hold down feature prevents the work piece from lifting.
 △ Accurate clamping is possible single body construction.
 △ Designed for ease of use,short and samll compact in size



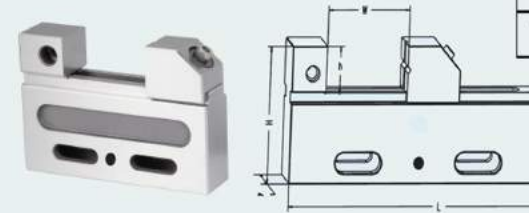
model	VIS650.75	VIS650.100
size(mm)		
A	145	170
B	105	90
C	20	30
D	-	-
E	-	-
G(max)	75	100
weight(kg)	-	-
maximumload(kg)	-	-

材质 Material	马氏体不锈钢 SUS420
硬度 Hardened	HRC50-55° HRC50-55°
平行度 parallelism	0.005/100mm 0.005/100mm
直角度 squareness	0.005/100mm 0.005/100mm

慢走丝夹具(虎钳)

VIS660

夹具材质为马氏体不锈钢，具有抗腐蚀和耐磨损的特点；
 采用特殊的斜角设计，夹持力强；
 △Short and small,its compact size is perfect for small work pieces.
 △Clamping force works to 45degree obliquely downward and it prevents the work piece from lifting



Code	A	h	H	W	L
VIS660.50	31.5	30	85	50	120
VIS660.100	31.5	30	90	100	170
VIS660.150	32	35	100	150	226
VIS660.214	35.5	40	100	214	300

手动超薄慢走丝夹具(虎钳)

VIS651

适用于各种线切割机床上的工件夹持
 手动夹持工件使用方便灵活，适用于小零件加工设计厚度为13mm，适用于端子零件
 △Accurate clamping is possible single body construction.
 △Desinged for ease of use,short and samll compact in size



超薄慢走丝夹具(虎钳)

VIS652

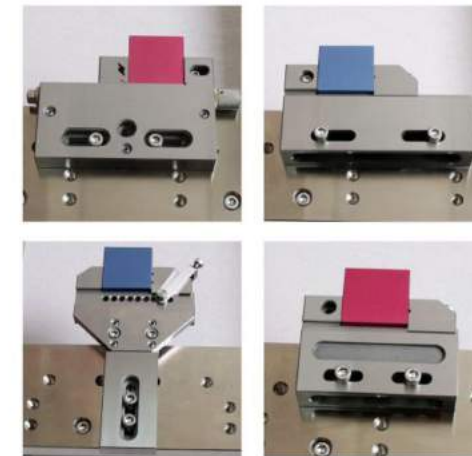
适用于各种线切割机床上的工件夹持
 主体可以微调，操作方便灵活
 △Accurate clamping is possible single body construction.
 △Desinged for ease of use,short and samll compact in size



手动慢走丝夹具(虎钳)

VIS661

适用于各种线切割机床上的工件夹持
 主体可以微调，操作方便灵活
 △Accurate clamping is possible single body construction.
 △Desinged for ease of use,short and samll compact in size



手动慢走丝夹具(虎钳)

VIS653

夹具材质为马氏体不锈钢，具有抗腐蚀和耐磨损的特点；
 手动设计使用方便灵活，适用于小零件加工；
 夹持范围：0-100mm
 △ The hold down feature prevents the work piece from lifting.
 △ Accurate clamping is possible single body construction.
 △ Desinged for ease of use,short and samll compact in size



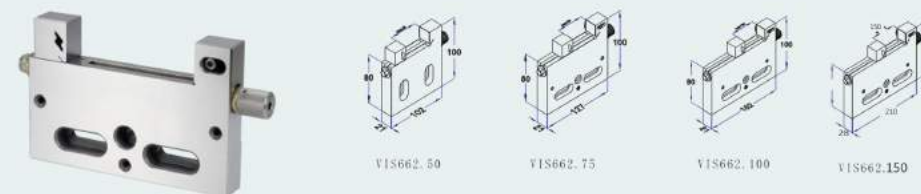
材质 Material	马氏体不锈钢 SUS440
硬度 Hardened	HRC50-55° HRC50-55°
平行度 parallelism	0.005/100mm 0.005/100mm
直角度 squareness	0.005/100mm 0.005/100mm

手动慢走丝夹具(虎钳)

VIS662

夹具材质为马氏体不锈钢，具有抗腐蚀和耐磨损的特点；
 手动设计使用方便灵活，适用于小零件加工；
 △ The hold down feature prevents the work piece from lifting.
 △ Accurate clamping is possible single body construction.
 △ Desinged for ease of use,short and samll compact in size

材质 Material	马氏体不锈钢 SUS440
硬度 Hardened	HRC50-55° HRC50-55°
平行度 parallelism	0.005/100mm 0.005/100mm
直角度 squareness	0.005/100mm 0.005/100mm



强力慢走丝夹具(虎钳)

VIS663

夹具材质为马氏体不锈钢，具有抗腐蚀和耐磨损的特点：
 采有特殊的斜角设计，夹持力强：
 △Short and small, its compact size is perfect for small work pieces.
 △Clamping force works to 45degree obliquely downward and it prevents the work piece from lifting

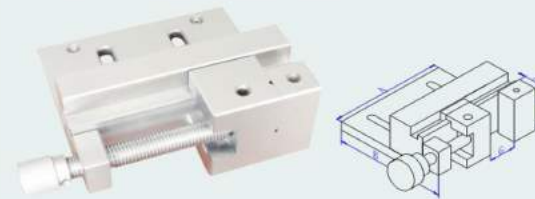


size(mm)	model	VIS663.100	VIS663.150
A		270	320
B		135	135
C		22	22
D		50	50
E		50	75
G(max)		100	150
weight(kg)		4	5.5
maximumload(kg)		10	12
材质 Material	马氏体不锈钢 SUS440		
硬度 Hardened	HRC50-55° HRC50-55°		
平行度 parallelism	0.005/100mm 0.005/100mm		
直角度 squareness	0.005/100mm 0.005/100mm		

手动直角万力

VIS666

适用于线切割机床加工各种零件：
 主体为马氏体不锈钢，淬火后深冷，具有防锈与耐磨损能力：
 △The dive pin lock structure is attached to the screw holder, so quick clamping is possible.
 △Tomake it easy to use, it has a simple design.

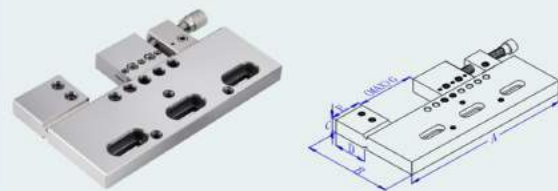


size(mm)	model	VIS666.25	VIS666.30
A		175	185
B		140	140
C		54	70
D		30	35
E		-	-
G(max)		82	100
weight(kg)		3.7	4.5
maximumload(kg)		5	8
材质 Material	马氏体不锈钢 SUS440		
硬度 Hardened	HRC50-55° HRC50-55°		
平行度 parallelism	0.005/100mm 0.005/100mm		
直角度 squareness	0.005/100mm 0.005/100mm		

手动慢走丝夹具(虎钳)

VIS664

适用于各种线切割机床上的工件夹持
 手动设计操作方便灵活，减少工件装夹时间，提升生产效率
 △The dive pin lock structure is attached to the screw holder, so quick clamping is possible.
 △Tomake it easy to use, it has a simple design.



size(mm)	model	VIS664.100	VIS664.150
A		247	320
B		145	145
C		22	22
D		50	60
E		60	60
G(max)		100	150
weight(kg)		4.5	6
maximumload(kg)		8	10
材质 Material	马氏体不锈钢 SUS440		
硬度 Hardened	HRC50-55° HRC50-55°		
平行度 parallelism	0.005/100mm 0.005/100mm		
直角度 squareness	0.005/100mm 0.005/100mm		

直角万力

VIS667

适用于线切割机床加工各种板类零件与圆形零件：
 主体为马氏体不锈钢，淬火后深冷，具有防锈与耐磨损能力：
 △The two step clamp type can be adjusted for use even on a thin material workpiece.
 △It can be freely used both on the right and left.
 △A substrate stopper that can be easily attached or removed is included.

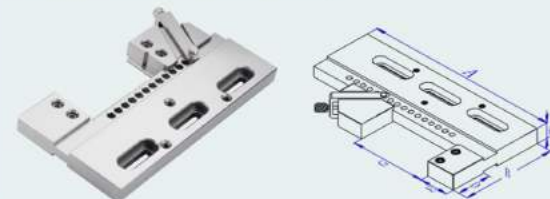


weight(kg)	5.4
maximumload(kg)	12
材质 Material	马氏体不锈钢 SUS440
硬度 Hardened	HRC50-55° HRC50-55°
平行度 parallelism	0.005/100mm 0.005/100mm
直角度 squareness	0.005/100mm 0.005/100mm

手动慢走丝夹具(虎钳)

VIS665

适用于各种线切割机床上的工件夹持，
 手动设计操作方便灵活，减少工件装夹时间，提升生产效率
 钳口采用特殊角度设计，夹持力强，
 △The dive pin lock structure is attached to the screw holder, so quick clamping is possible.
 △Tomake it easy to use, it has a simple design.



size(mm)	model	VIS665.100	VIS665.150
A		220	270
B		135	135
C		22	22
D		45	50
E		50	60
G(max)		100	150
weight(kg)		4	5.5
maximumload(kg)		8	10
材质 Material	马氏体不锈钢 SUS440		
硬度 Hardened	HRC50-55° HRC50-55°		
平行度 parallelism	0.005/100mm 0.005/100mm		
直角度 squareness	0.005/100mm 0.005/100mm		

手动慢走丝虎钳

VIS654

适用于各种线切割机床上的工件夹持
 手动设计操作方便灵活，减少工件装夹时间，提升生产效率
 夹持范围：0-150mm
 △The dive pin lock structure is attached to the screw holder, so quick clamping is possible.
 △Tomake it easy to use, it has a simple design.

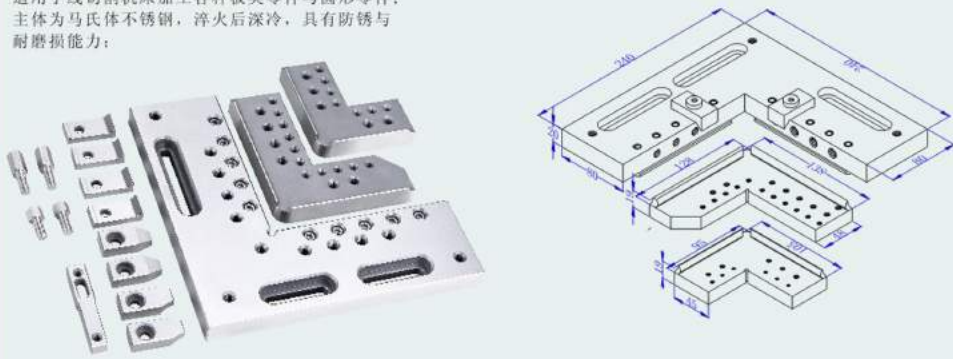


weight(kg)	2.8
maximumload(kg)	8
材质 Material	马氏体不锈钢 SUS440
硬度 Hardened	HRC50-55° HRC50-55°
平行度 parallelism	0.005/100mm 0.005/100mm
直角度 squareness	0.005/100mm 0.005/100mm

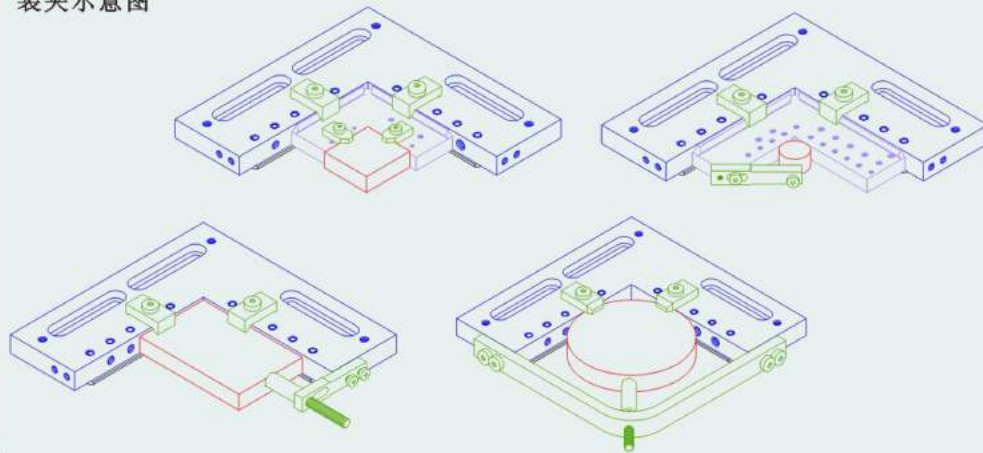
组合直角万力

VIS668

适用于线切割机床加工各种板类零件与圆形零件；
主体为马氏体不锈钢，淬火后深冷，具有防锈与耐磨能力；



装夹示意图



线切割夹圆夹具

VIS655

夹具材质为马氏体不锈钢，具有抗腐蚀和耐磨损的特点；
主要针对圆形零件加工装夹难而设计；
夹持范围：0-50mm 0-100mm

材质 Material	马氏体不锈钢 SUS440
硬度 Hardened	HRC50-55° HRC50-55°
平行度 parallelism	0.005/100mm 0.005/100mm
直角度 squareness	0.005/100mm 0.005/100mm

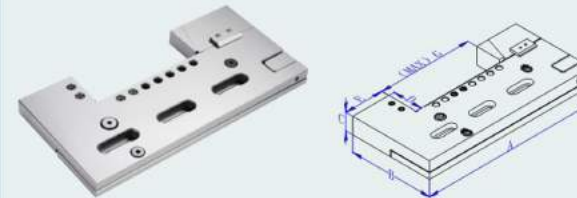


可调线切割夹具(虎钳)

VIS680

夹具材质为马氏体不锈钢，具有抗腐蚀和耐磨损的特点；
采用特殊的斜角设计，夹持力强；
夹具体具有水平/平行X、Y、Z轴微调功能；
△Short and small, its compact size is perfect for small work pieces.
△Clamping force works to 45degree obliquely downward and it prevents the work piece from lifting

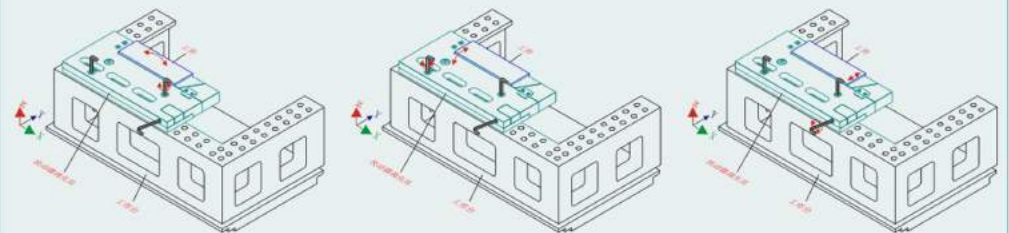
size (mm)	model	VIS680. 100	VIS680. 160
A		270	350
B		170	170
C		24	24
D		50	60
E		60	80
G (max)		100	160
weight (kg)		5.4	7.8
maximum load (kg)		6	10



材质 Material	马氏体不锈钢 SUS440
硬度 Hardened	HRC50-55° HRC50-55°
平行度 parallelism	0.005/100mm 0.005/100mm
直角度 squareness	0.005/100mm 0.005/100mm

水平/平行X、Y、Z轴微调示意图：

△Workpiece finishing according to standards can be easily done while the vise is attached to the work stand.
△Work speed can increase because work finishing according to standards can be done without removing the vise each time.



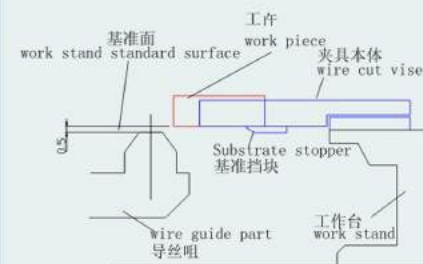
左右可调
Horizontal adjustment function

上下可调
Horizontal adjustment function

前后可调
Parallel adjustment function

装夹位置关系图

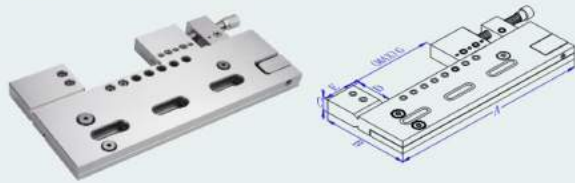
夹具与导丝嘴的位置关系
△Please remove substrate stopper if it hinders processing.
△A 0.2mm leeway is given to avoid interference with the wire guide part after adjustment work.



手动可调线切割夹具(虎钳)

VIS681

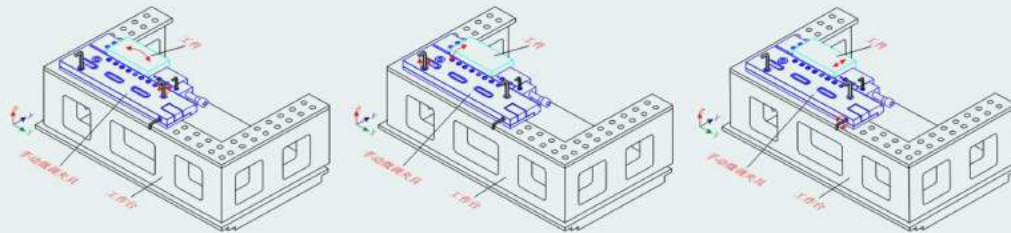
夹具材质为马氏体不锈钢，具有抗腐蚀和耐磨损的特点；
 手动夹持设计，操作方便、灵活、简单，提升生产效率；
 夹具本体具有水平/平行X、Y、Z三轴微调功能；
 △Short and small, its compact size is perfect for small work pieces.
 △Clamping force works to 45degree obliquely downward and it prevents the work piece from lifting



size(mm)	model	VIS681.100	VIS681.160
A		260	350
B		170	170
C		24	24
D		50	60
E		60	80
G(max)		100	160
weight(kg)		4.8	7
maximumload(kg)		6	10
材质 Material		马氏体不锈钢 SUS440	
硬度 Hardened		HRC50-55° HRC50-55°	
平行度 parallelism		0.005/100mm 0.005/100mm	
直角度 squareness		0.005/100mm 0.005/100mm	

水平/平行X、Y、Z三轴微调示意图：

△Workpiece finishing accord-ing to standards can be easily done while the vise is attached to the work stand.
 △Work speed can increase because work finishing according to standards can be done without removing the vise each time.



左右可调

Horizontal adjustment function

上下可调

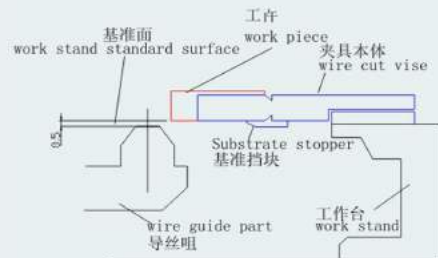
Horizontal adjustment function

前后可调

Parallel adjustment function

装夹位置关系图

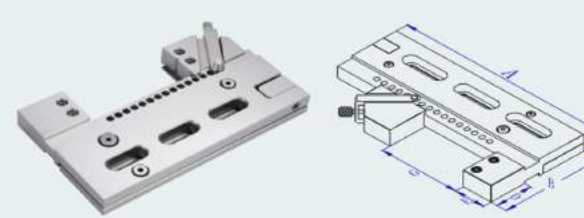
夹具与导丝嘴的位置关系
 △Please remove substrate stopper if it hinders processing.
 △A 0.2mm leeway is given to avoid interference with the wire guide part after adjustment work.



手动可调线切割夹具(虎钳)

VIS682

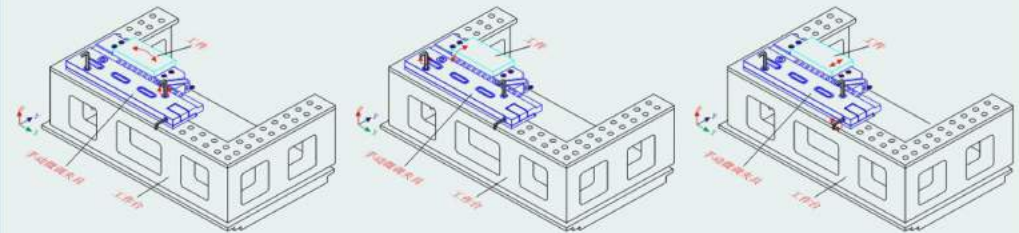
夹具材质为马氏体不锈钢，具有抗腐蚀和耐磨损的特点；
 手动夹持设计，操作方便、灵活、简单，提升生产效率；
 夹具本体具有水平/平行X、Y、Z三轴微调功能；
 △Short and small, its compact size is perfect for small work pieces.
 △Clamping force works to 45degree obliquely downward and it prevents the work piece from lifting



size(mm)	model	VIS682.100	VIS682.160
A		220	270
B		135	135
C		24	24
D		45	50
E		50	60
G(max)		100	160
weight(kg)		4.6	7.2
maximumload(kg)		6	10
材质 Material		马氏体不锈钢 SUS440	
硬度 Hardened		HRC50-55° HRC50-55°	
平行度 parallelism		0.005/100mm 0.005/100mm	
直角度 squareness		0.005/100mm 0.005/100mm	

水平/平行X、Y、Z三轴微调示意图：

△Workpiece finishing accord-ing to standards can be easily done while the vise is attached to the work stand.
 △Work speed can increase because work finishing according to standards can be done without removing the vise each time.



左右可调

Horizontal adjustment function

上下可调

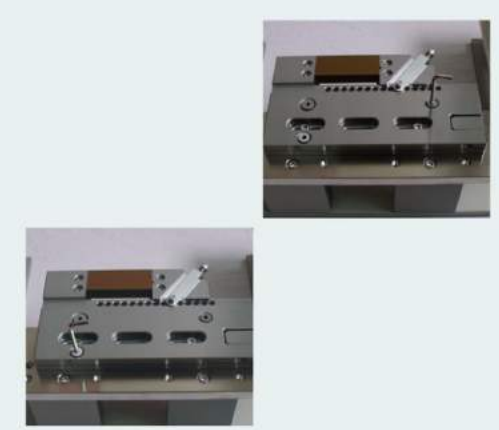
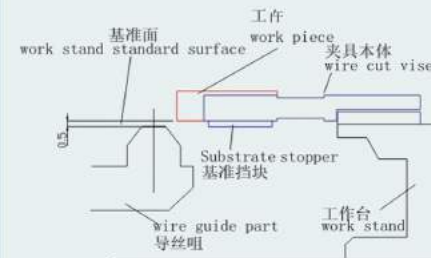
Horizontal adjustment function

前后可调

Parallel adjustment function

装夹位置关系图

夹具与导丝嘴的位置关系
 △Please remove substrate stopper if it hinders processing.
 △A 0.2mm leeway is given to avoid interference with the wire guide part after adjustment work.



可调线切割夹具(虎钳)

VIS683

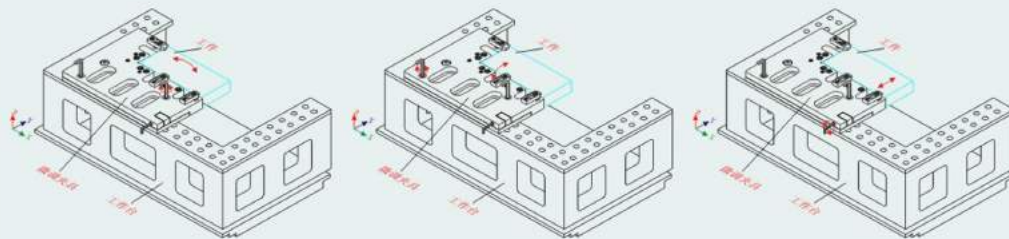
夹具材质为马氏体不锈钢，具有抗腐蚀和耐磨损的特点：
 夹具本体具有水平/平行X、Y、Z三轴微调功能：
 △Short and small, its compact size is perfect for small work pieces.
 △Clamping force works to 45degree obliquely downward and it prevents the work piece from lifting

weight (kg)	4.5
maximumload (kg)	8
材质 Material	马氏体不锈钢 SUS440
硬度 Hardened	HRC50-55° HRC50-55°
平行度 parallelism	0.005/100mm 0.005/100mm
直角度 squareness	0.005/100mm 0.005/100mm



水平/平行X、Y、Z三轴微调示意图：

△Workpiece finishing accord-ing to standards can be easily done while the vise is attached to the work stand.
 △Work speed can increase because work finishing according to standards can be done without removing the vise each time.



左右可调

Horizontal adjustment function

上下可调

Horizontal adjustment function

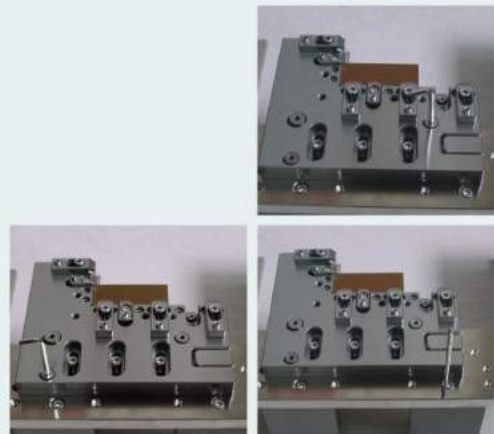
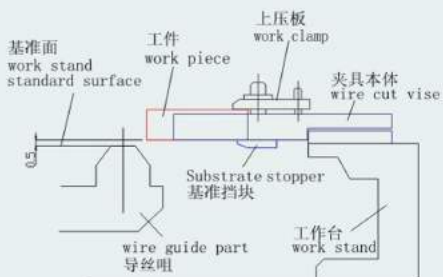
前后可调

Parallel adjustment function

装夹位置关系图

夹具与导丝嘴的位置关系

△Please remove substrate stopper if it hinders processing.
 △A 0.2mm leeway is given to avoid interference with the wire guide part after adjustment work.



可调线切割夹具(虎钳)

VIS684

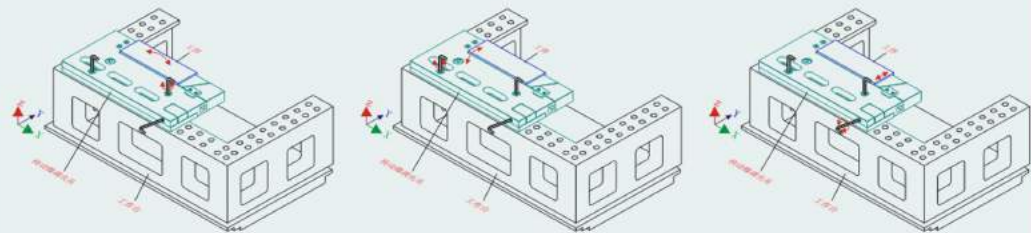
夹具材质为马氏体不锈钢，具有抗腐蚀和耐磨损的特点：
 采用特殊的斜角设计，夹持力强：
 夹具本体具有水平/平行X、Y、Z三轴微调功能：
 △Short and small, its compact size is perfect for small work pieces.
 △Clamping force works to 45degree obliquely downward and it prevents the work piece from lifting

size (mm)	model	VIS684.100	VIS684.160
A		240	300
B		160	160
C		24	24
D		50	50
E		60	60
G (max)		100	160
weight (kg)		5.4	7.8
maximumload (kg)		6	10
材质 Material		马氏体不锈钢 SUS440	
硬度 Hardened		HRC50-55° HRC50-55°	
平行度 parallelism		0.005/100mm 0.005/100mm	
直角度 squareness		0.005/100mm 0.005/100mm	



水平/平行X、Y、Z三轴微调示意图：

△Workpiece finishing accord-ing to standards can be easily done while the vise is attached to the work stand.
 △Work speed can increase because work finishing according to standards can be done without removing the vise each time.



左右可调

Horizontal adjustment function

上下可调

Horizontal adjustment function

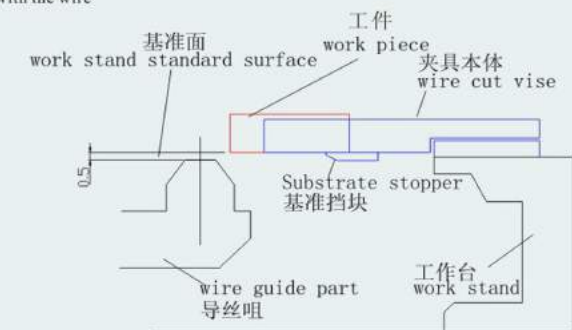
前后可调

Parallel adjustment function

装夹位置关系图

夹具与导丝嘴的位置关系

△Please remove substrate stopper if it hinders processing.
 △A 0.2mm leeway is given to avoid interference with the wire guide part after adjustment work.



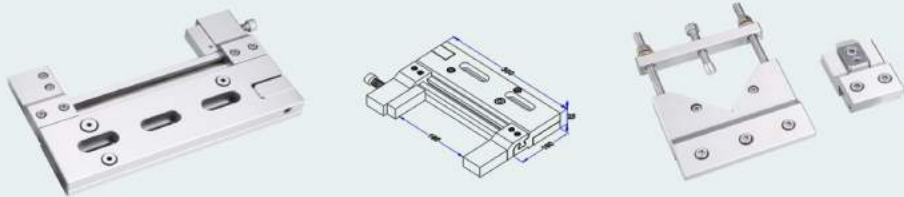
可调组合线切割夹具(虎钳)

VIS685

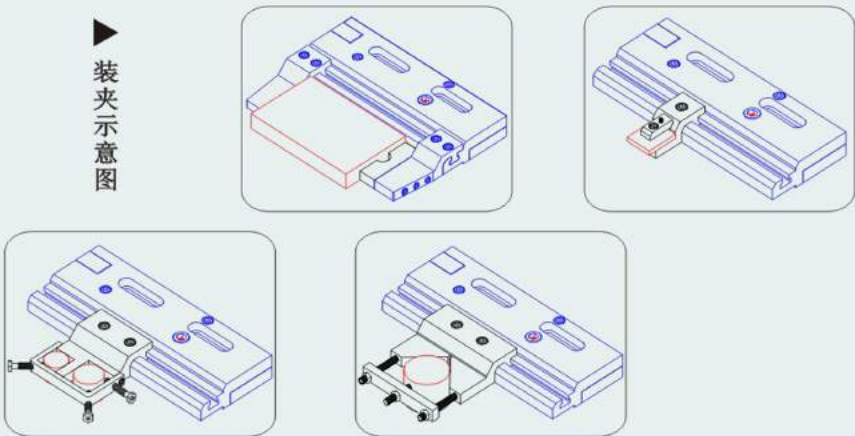
夹具材质为马氏体不锈钢, 具有抗腐蚀和耐磨损的特点;
 采用特殊的斜角设计, 夹持力强;
 夹具本体具有水平/平行X、Y、Z三轴微调功能;
 △Short and small, its compact size is perfect for small work pieces.
 △Clamping force works to 45degree obliquely downward and it prevents the work piece from lifting

材质 Material	马氏体不锈钢 SUS440
硬度 Hardened	HRC50-55° HRC50-55°
平行度 parallelism	0.005/100mm 0.005/100mm
直角度 squareness	0.005/100mm 0.005/100mm

选配附件

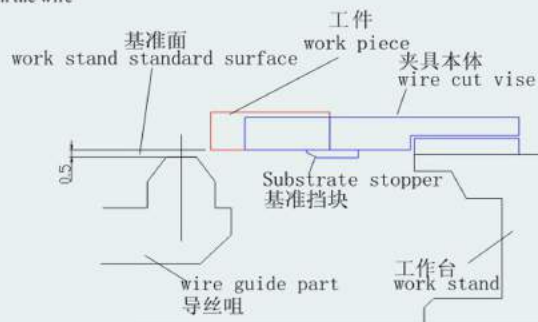


装夹示意图



装夹位置关系图

夹具与导丝嘴的位置关系
 △Please remove substrate stopper if it hinders processing.
 △A 0.2mm leeway is given to avoid interference with the wire guide part after adjustment work.



水平调节式通用底座

VIS686

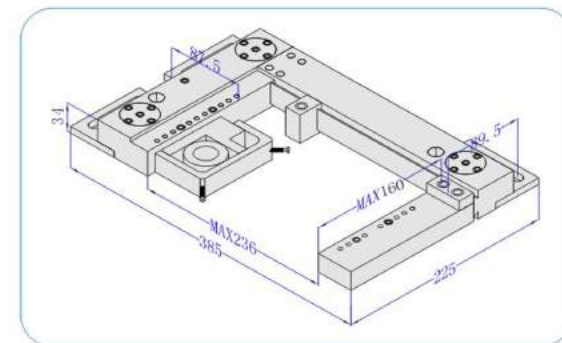


产品特征:

夹具采用了特殊球面支承, 简化了工件水平对中工作, 大大缩短了装夹时间, 提高了机械动作的效率。

特别附件一夹具主体配合, 用于各种大小圆形零件的加工, 用于宽大平板的L块以及用于薄零件的钳口全部组合起来后, 可以更加有效地固定各种零件。

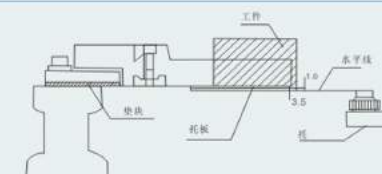
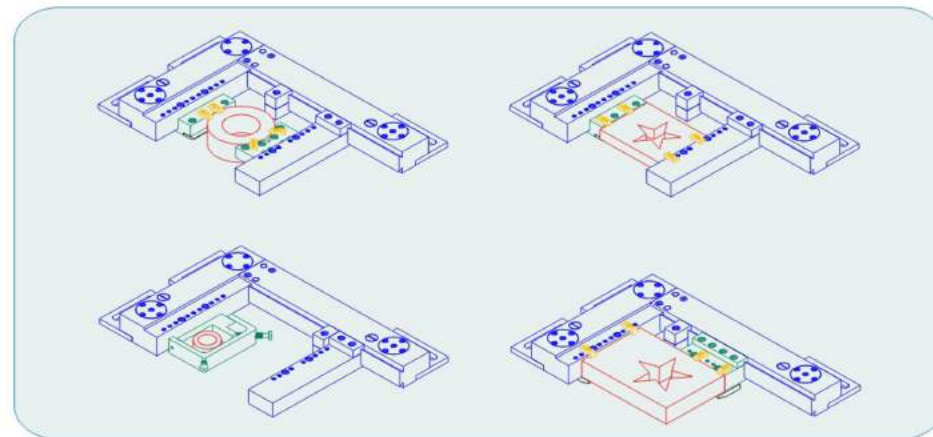
规格尺寸:



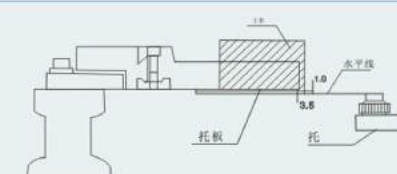
Features:

- △Through the adoption of special spherical bearings, horizontal centering of the work can be easily done, setup time is greatly shortened, and machine operation rate is improved.
- △Various works can be efficiently set by combining special accessories such as V block for large/small round work, L-type block for wide flat-plate work, and jaw, for thin work.
- △These are superior in rustproofing by adopting martensitic stainless steel (quenched/ground/finished).

装夹示意图



When the spacer (standard attachment) is not used.
 Due to the thickness of work receiver which is 4.5mm, its underside lowers from the table zero line by 3.5mm.
 In this case, the distance between the underside of work and the table zero will be 10mm.
 Attention should be paid to interference between the work receiver and the lower wire gride.



When the spacer (standard attachment) is used.
 Due to the thickness of spacer which is 4mm, its underside workreceiver lifts from the table zero line by 0.5mm.
 In this case, the distance between the underside of work and the table zero will be 5.0mm, since the underside of interference cannot be caused by the wire guide.

横梁线切割夹具（虎钳）

VIS693

线切割虎钳与横梁配合使用，钳口是可移动设计，可夹持更大的工件，操作方便快捷。



横梁

VIS690

横梁适用于线切割机大尺寸的零件加工，产品可根据客户机床行程定做。

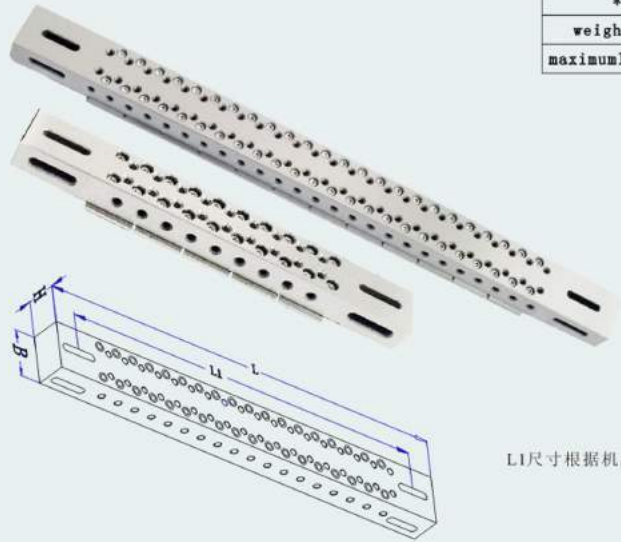
2个一组可稳定固定平板零件

可配合VIS693精密虎钳使用，提升横梁的使用率

These are designed/manufactured in accordance with various work stands.

A flat-plate work can be stably fixed with one set of two pieces.

model	size(mm)	L	L1	B	H
**	370	-	50	25	
**	450	-	50	30	
**	550	-	50	30	
**	650	-	60	35	
**	750	-	60	40	
**	950	-	80	45	
weight (kg)		-	-	-	-
maximumload (kg)		-	-	-	-



L1尺寸根据机床工作台中心距确定

材质 Material	马氏体不锈钢 SUS440
硬度 Hardened	HRC50-550 HRC50-550
平行度 parallelism	0.005/100mm 0.005/100mm
直角度 squareness	0.005/100mm 0.005/100mm

横梁

VIS691

横梁适用于线切割机大尺寸的零件加工，产品可根据客户机床行程定做



model	size(mm)	L	L1	B	H
**	370	-	45	30	
**	450	-	60	30	
**	550	-	60	30	
**	650	-	80	36	
**	750	-	80	36	
**	950	-	80	40	
weight (kg)		-	-	-	-
maximumload (kg)		-	-	-	-

横梁

VIS692

横梁适用于线切割机大尺寸的零件加工，产品可根据客户机床行程定做



model	size(mm)	L	L1	B	H
**	370	-	45	30	
**	450	-	60	30	
**	550	-	60	30	
**	650	-	80	36	
**	750	-	80	36	
**	950	-	80	40	
weight (kg)		-	-	-	-
maximumload (kg)		-	-	-	-

横梁

VIS694

横梁适用于线切割机大尺寸的零件加工，产品可根据客户机床行程定做



model	size(mm)	L	L1	B	H
**	370	-	90	22	
**	450	-	90	22	
**	550	-	90	25	
**	650	-	90	25	
**	750	-	90	25	
**	950	-	90	30	
weight (kg)		-	-	-	-
maximumload (kg)		-	-	-	-

一目治具

VIS670

适用于线切割机床装夹各类零件加工。
推荐工件最大重量为20kg

规格: 120X50X15 150X50X15
180X50X15 120X60X15

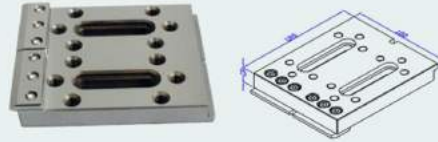


二目治具

VIS671

适用于线切割机床装夹各类零件加工。
推荐工件最大重量为20kg

规格: 120X100X15

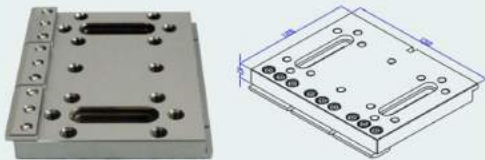


三目治具

VIS672

适用于线切割机床装夹各类零件加工。
推荐工件最大重量为20kg

规格: 120X150X15



加长治具

VIS673

适用于线切割机床装夹各类零件加工。
可调整长度为35-135毫米
推荐工件最大重量为20kg



治具

VIS674

适用于线切割机床装夹各类零件加工。
可调整长度为35-135毫米
推荐工件最大重量为20kg



压板

VIS675

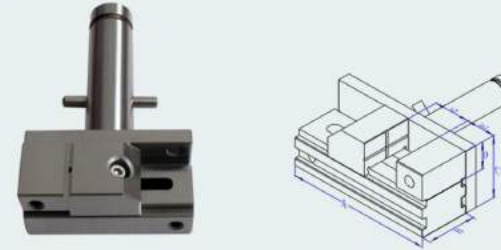
与横梁/治具配合使用，压持工件，使工件不松动

规格: 70X23X8 70X23X12
材质: 420 304



不锈钢电极万力

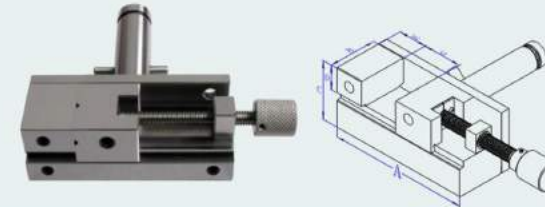
VIS676



size(mm) \ model	1.0"	1.5"	2.0"
A	65	100	135
B	25	35	50
C	30	35	50
D	12	16	24
E	18	25	30
G(max)	20	45	60
weight(kg)	-	-	-
maximumload(kg)	-	-	-

手动不锈钢电极万力

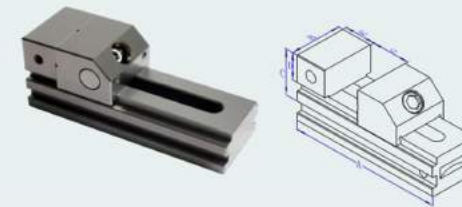
VIS677



size(mm) \ model	1.5"	2.0"
A	100	135
B	35	50
C	35	50
D	16	24
E	25	30
G(max)	45	60
weight(kg)	-	-
maximumload(kg)	-	-

不锈钢工具万力

VIS678



size(mm) \ model	15	20	25	30	40
A	100	140	172	190	230
B	35	48	63	73	98
C	40	50	60	70	80
D	20	25	30	35	40
E	25	25	30	35	40
G(max)	45	75	90	100	125
weight(kg)	-	-	-	-	-
maximumload(kg)	-	-	-	-	-

手动不锈钢工具万力

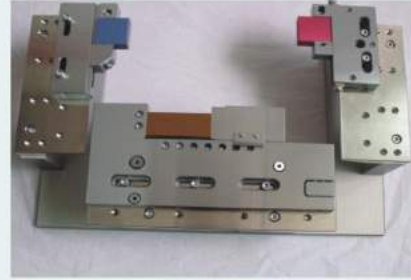
VIS679



size(mm) \ model	20	25	30	40
A	140	100	180	230
B	48	65	73	98
C	55	69	78	92
D	25	30	35	45
E	25	30	35	40
G(max)	-	-	-	-
weight(kg)	-	-	-	-
maximumload(kg)	-	-	-	-

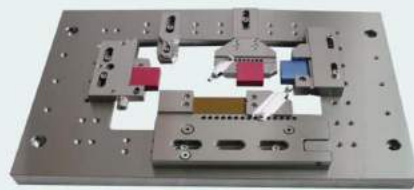
慢走丝工作台 **custom-made**
VIS610

材料为马氏体不锈钢，热处理：调质HB225-245，是线切割机床最主要的组成部分之一，按要求定制



慢走丝工作台 **custom-made**
VIS611

材料为马氏体不锈钢，热处理：调质HB225-245，是线切割机床最主要的组成部分之一，按要求定制



夹紧支承千斤顶 **VIS612**

适用于WEDM慢走丝线切割机床，针对加工零件的厚度不同，夹紧支承千斤顶可以灵活调节高度，方便稳定可靠。

Height:30~100 mm



夹紧架高螺丝 **VIS613**

适用于WEDM慢走丝线切割机床，针对加工零件的厚度不同，架高螺丝可以灵活调节高度，方便稳定可靠。

Height:30~130 mm



衝子成型器 PUNCH FORMER

 單向沖子成型器 Punch Former EPT-101 NO.02	 電動調速單向沖子成型器 Electric speed regulating one-way punch forming device EPT-101D NO.03	 雙向沖子成型器 2-Way Punch Former EPT-102 NO.04	 三爪沖子成型器 ER Collet Punch Former EPT-103 NO.05
 電動調速三爪沖子成型器 Motor 3-Jaw Punch Former EPT-103D NO.06	 陶瓷研磨器 Motor ER Collet Punch Former EPT-104 NO.08	 電動調速陶瓷式ER沖子成型器 ER Collet Dividing Punch Former EPT-104D NO.06	 大型三爪沖子成型器 3Jaws Punch Former(big) EPT-105 NO.07
 大型電動三爪沖子成型器 Precision Motor 3Jaws Punch Former(big) EPT-105D NO.07	 大型單向沖子成型器 Big Punch Former EPT-106 NO.08	 大型双向沖子成型器 Punch Former(Two-Way) EPT-107 NO.08	 大型三爪沖子成型器 3Jaws Punch Former(big) EPT-106 NO.07
 中型單向沖子成型器 Medium-Sized Punch Former EPT-108 NO.09	 中型雙向沖子成型器 Medium 2-Way Punch Former EPT-109 NO.09	 單向頂針沖子成型器 Single-Way Punch Former EPT-1011 NO.10	 電動單向頂針沖子成型器 Single-Way Motor Punch Former EPT-1012 NO.10
 三爪頂針沖子成型器 3-Jaws Punch Former EPT-1031 NO.11	 電動三爪頂針沖子成型器 3-Jaws Motor Punch Former EPT-1032 NO.11	 手動頂針沖子成型器 Manual Thumbstall Punch Former EPT-1061 NO.12	 電動頂針沖子成型器 Motor Thumbstall Punch Former EPT-1062 NO.12
 沖子正弦塞 Sine Plate For Punch Former EPT-1013 NO.13	 替換式螺紋研磨滑座(不銹鋼) Replaceable type Thread Grinding Slider EPT-1063 NO.14		

磁臺 MAGNETIC CHUCK

 一體正弦磁臺(超薄型) Sine Plate With Fine Magneto Chuck EPT-501 NO.24	 精調磁臺 Fine Adjustment Sine Plate With Magneto Chuck EPT-502 NO.24	 旋轉磁臺 Rotary Magneto Chuck EPT-503 NO.26	 正弦塞 Sine Plate EPT-5041 NO.26	 雙向正弦塞 Compound Sine Plate EPT-5042 NO.26
 高精密鋼塊 Steel Metric Gauge Block EPT-5043 NO.26	 陶瓷規塊 Carbide Metric Gauge Block EPT-5044 NO.27	 陶瓷規塊 Ceramic Gauge Block EPT-5045 NO.28	 薄型永磁吸臺 Thin Type Permanent Magneto Chuck EPT-5046 NO.29	 粗型精密永磁吸臺 Thick Type Precise Permanent Magneto Chuck EPT-5047 NO.29
 強力微日永磁吸臺 Powerful Micropitch Permanent Magneto Chuck EPT-5048 NO.30	 超微永磁吸臺 Micro pitch Permanent Magneto Chuck EPT-5049 NO.31	 精調永磁旋轉磁臺 Precision Adjustment Rotary Magneto Chuck EPT-5050 NO.32	 電磁永磁吸臺 Neopower Magneto Chuck EPT-NP50/70 NO.33 NO.34	